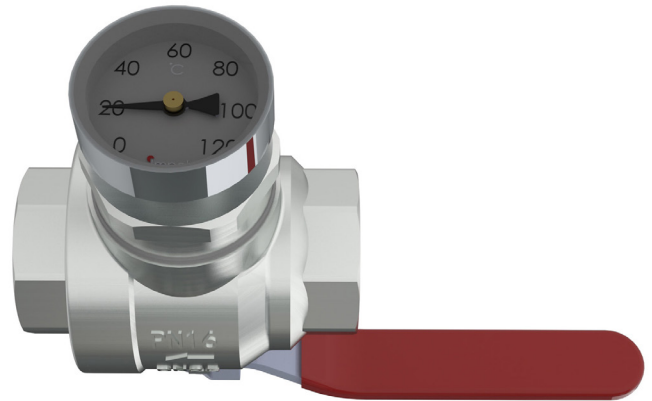


Filter ball valve 488

- Body in nickel-plated brass
- Female thread 3/4" – 1"
- Changeable stainless strainer insert
- Thermometer



Description

Ball valve with strainer insert and thermometer.

Construction

Ball valve in nickel-plated brass.
Changeable strainer insert, mesh 0,6 mm. Gaskets in PTFE.
Thermometer for system temperature.
Seals in EPDM between cap and body.

Marking

DN, PN and flow direction arrow. Company logotype on lever.

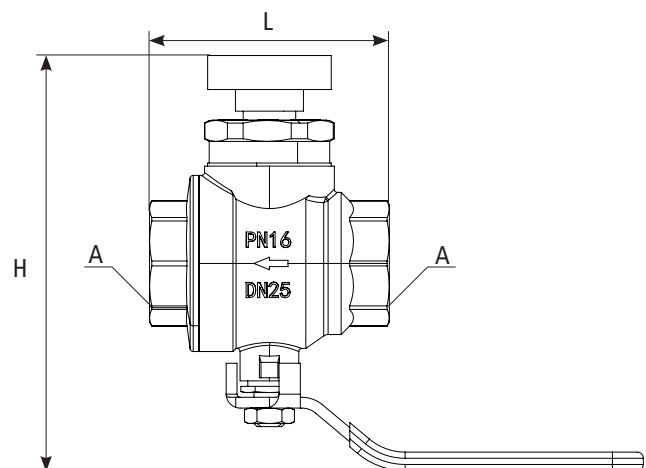
Maintenance

Close the valve and clean the strainer insert when necessary.
The ball valve must be operated periodically, two to three times a year. For more information, please see Impel's website.

Technical data

Body	Nickel-plated brass CW617N
Stem gasket	PTFE
Strainer insert	Stainless steel SS304
Cap seal (o-ring)	EPDM
Cap seal (gasket)	EPDM
Ball seal	PTFE

Maximum working pressure: 16 bar
Maximum working temperature: 100°C
Minimum working temperature: 0°C
Kv values: see chart below



Item number	Description	Connection thread A	Length L	Height H	Kv (m ³ /h)	Weight (kg)
0448802000	Filter ball valve 488-20, 3/4" F, lever, thermometer	3/4" F	65	124	7,1	0,61
0448802500	Filter ball valve 488-25, 1" F, lever, thermometer	1" F	78	136	12,6	0,89

Subject to technical changes and corrections without notice