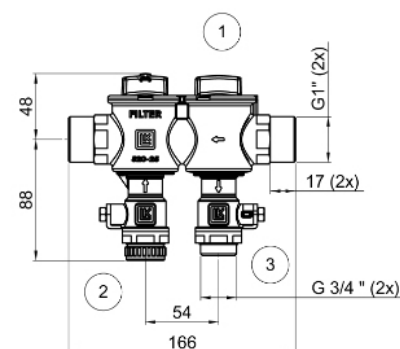


# LK 520-25 Multifill®

Combination valve with insulation, for filling, mixing and filtering with refrigerant fluid.

## TECHNICAL DATA

Working temperature	-20°C - +60°C
Max. working pressure	0,6 MPa (6 bar)
Glycol and ethanol mixture	Max 50%
Material valve body	Brass EN 12165 CW617N
Material filter element	POM
Mesh opening	1 mm
Material cover	PPS Composite
Material sealing	EPDM
Material insulation	Expanded polystyrene (EPS)
Connections	2 connections with male thread G $\frac{3}{4}$ " for refilling with refrigerant fluid and 2 pipe connections with male thread G1" for connection to collector hose



## INSTALLATION AND MAINTENANCE

The arrow on the valve body indicates the direction of the flow. The male thread has to be sealed in the usual manner.

To avoid condensation and possible icing, the filling unit should be insulated with the enclosed insulation.

### Filling with refrigerant

Close valve 1. Connect the refrigerant fill to valve 2 according to the flow arrow. Connect the refrigerant return to valve 3. After filling, close filling valves 2 and 3. Open valve 1.

Apart from cleaning the filter, no maintenance is required. The installation should be checked regularly.

### Insulation

## ORDERING INFORMATION

<b>Article type</b>	<b>Art. no</b>	<b>Dim.</b>	<b>Kvs m<sup>3</sup>/h</b>
LK 520-25	091288	G1" male x G1" male	14
Handle (spare part)	095173		
Clips for insulation (spare part)	095171		
Insulation (spare part)	095170	148 mm x 168 mm x 76 mm (LxWxH)	
Filter (spare part)	095168		
Knob with air vent (spare part)	095172		
Knob (spare part)	095169		