

Product Range

iJOINT





iJOINT Compression Fittings

4



Tapping Saddles

24



Clamp Saddles

26

Index

38

The iJOINT focuses on safety and ergonomic handling – real benefits for our customers

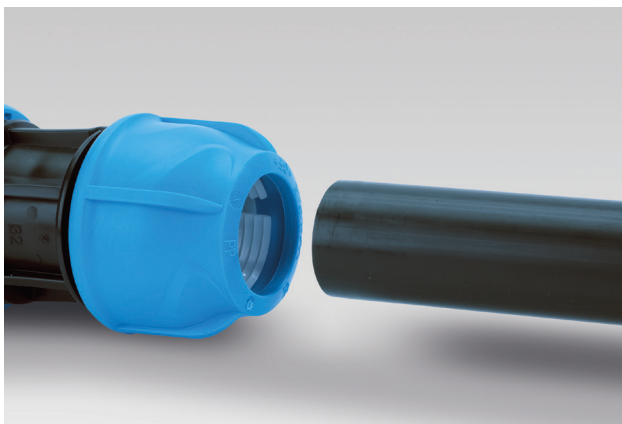
The line of compression fittings from GF Piping Systems has been specially developed for use in water systems, assuring a quicker and easier installation compared to a traditional compression fitting. The lip sealing system makes this product both unique and long-lasting. Superb quality and innovative features predestine iJOINT for the drinking water market worldwide. iJOINT comprises all the benefits of plastics: no rust and no incrustation, lightweight construction, no leakage, excellent pressure resistance – just to name a few.

+ Features



iJOINT – the next generation of polypropylene compression fittings

+ Benefits



iJOINT is the result of GF Piping Systems' unremitting commitment to continuous improvement and a culture based on innovation and ingenuity. The innovative design provides essential benefits like fast, forgiving and effort-free installation methods in challenging trench and weather situations, ensuring maximum lifetime and high flow capacity for top performance in water applications. The iJOINT range contains straight and reducing joiners, tees, elbows, threaded connectors, end caps and metal transition adaptors ranging from d16 to d110 mm.

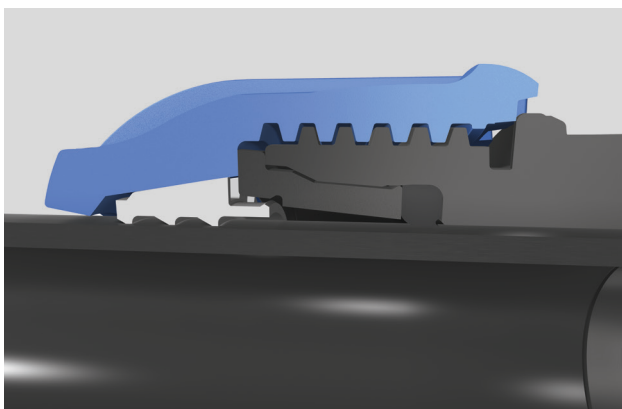
Fast and easy installation

iJOINT comes ready for installation, if necessary unscrew the nut to obtain a very easy pipe insertion. Installation of bigger dimensions is even easier due to the fact that there is no contact between the clamp ring and the pipe during insertion. GF wrenches enable an optimal strong tightening of the nuts, which strengthens the product performance.



Lip gasket

The special lubricated EPDM lip gasket allows a smooth pipe insertion even without pre-lubrication of the pipe. The special lip profile provides outstanding hydraulic performance even in case of ovalized, scratched or undersized pipes.



Safe design and long life time

The special design in combination with the use of top quality raw materials enables high pressure and pull-out resistance throughout the complete range, also in case of water hammer. The grip ring is biting the pipe granting a high pull out resistance and the thrust ring is pushing the lip gasket towards the pipe for a perfect sealing resistance.

Conformity to all important standards and availability in a wide range of diameters makes iJOINT your first choice

iJOINT compression fittings are suitable for use with all types of polyethylene pipes PE 80, PE 100, PEX and PVC-U with special transition kit. The fitting is ready to be installed out of the box without any preparation. The pipe can be inserted directly without disassembling the fitting. There is a 16 bar resistance throughout the complete range of iJOINT fittings, with approvals according to the most stringent regulations worldwide. The special lip gasket grants a perfect performance even with ovalised, scratched and undersized pipes.

+ Technical specifications

From ø 16 to 63	<p>Pressure range MOP of 16 bar for the complete range of iJOINT fittings from d16 to d110 mm (complete range DVGW approved PN16)</p> <p>Temperature range -10 °C to +45 °C</p> <p>Materials Body and thrust ring UV stabilized polypropylene impact Copolymer with high long term aging stability complying with ISO 9080. Nut UV stabilized blue polypropylene Impact Copolymer Clamp ring Polyacetal (POM) Lubricated lip gasket Food-safe EPDM rubber suitable for potable water. Reinforcement ring (for female thread) Stainless steel AISI 430</p> <p>Regulation for drinking water iJOINT compression fittings comply with the strictest worldwide regulations, e.g.: – DVGW GW 335-B3 – W270 and KTW (Germany) – ATA (Netherlands) – DM 174-06/04/2004 (Italy) – Global Mark (Australia) – ACS (France)</p> <p>Approvals – DVGW (Germany) – IIP (Italy) – SVGW (Switzerland) – KIWA (Netherlands) – ACS (France) – Global Mark (Australia) – WRAS (United Kingdom)</p> <p>Standards For PE pipes: DIN EN 12201; ISO 11922-1; DIN 8074; EN 12201-1/2; AS/NZS 4130; BS 6572; BS 6730; ISO 4427; UNI 7990; ISO 12162 Threads DIN EN 10226 (ISO 7-1); BS 21; AS 1722.1 Flanges DIN EN1092-1; DIN 2501.1</p> <p>Test standards ISO 17885; DIN 8076-3; AS/NZS 4129; BRL K534/03 –UNI; ISO 3501; ISO 3503; ISO 3458; ISO 3459; VP609</p>	From ø 75 to 110

The comprehensive iJOINT system is ideal for new installations as well as renovations or extensions of existing water lines

iJOINT is designed for use in house connections and service lines. This wide-ranging system lends itself to new installations as well as to renovation or extension work on existing water lines. iJOINT can be used for diverse applications and its design benefits a vast number of industries. In addition, iJOINT is the perfect solution for bypass systems, where temporarily laid lines need to be disassembled in a quick and easy way.

+ Applications



Water Distribution Lines



House Connections



High-end Irrigation



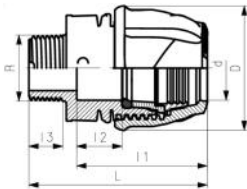
- Water Distribution Lines
- House Connections and Service Lines
- Pressure Sewage

- Industrial Applications
- Mining Industry

- Leisure Parks
- Golf Courses
- Camping Grounds

- Farming
- Greenhouses
- High-end Irrigation

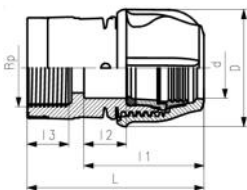
iJOINT Compression Fittings



Male adaptor

- installation without disassembling
- suitable for PE and PEX pipes
- water PN16
- material: PP
- gasket: EPDM quality for drinkable water
- male thread: ISO 7 (conical)
- colour: blue-black

d	R	PN	Code	PF	SP	GP	Weight	D	L	L1	L2	L3
(mm)	(inch)	(bar)					(kg)	(mm)	(mm)	(mm)	(mm)	(mm)
16	½	16	158 400 351	2 85 A07 020	10	70	0.058	45	73	46	19	14
16	¾	16	158 400 352	2 85 A07 020	10	70	0.061	45	74	46	19	14
20	½	16	158 400 123	2 85 A07 001	10	220	0.037	45	73	54	19	14
20	¾	16	158 400 124	2 85 A07 001	10	220	0.040	45	74	54	19	15
20	1	16	158 400 125	2 85 A07 001	10	220	0.038	45	77	54	19	17
25	½	16	158 400 126	2 85 A07 001	10	180	0.050	53	79	59	21	14
25	¾	16	158 400 127	2 85 A07 001	10	180	0.056	53	80	59	21	15
25	1	16	158 400 128	2 85 A07 001	10	170	0.057	53	83	59	21	17
32	¾	16	158 400 129	2 85 A07 001	10	120	0.088	64	88	66	23	15
32	1	16	158 400 130	2 85 A07 001	10	120	0.091	64	91	66	23	17
32	1 ¼	16	158 400 131	2 85 A07 001	10	120	0.092	64	93	66	23	20
32	1 ½	16	158 400 132	2 85 A07 001	10	110	0.098	64	93	66	23	20
40	1	16	158 400 133	2 85 A07 001	90		0.136	75	102	76	26	17
40	1 ¼	16	158 400 134	2 85 A07 001	90		0.153	75	104	76	26	20
40	1 ½	16	158 400 135	2 85 A07 001	90		0.142	75	104	76	26	20
40	2	16	158 400 136	2 85 A07 001	80		0.154	75	109	76	26	24
50	1	16	158 400 137	2 85 A07 001	50		0.265	97	114	88	30	17
50	1 ¼	16	158 400 138	2 85 A07 001	50		0.267	97	117	88	30	20
50	1 ½	16	158 400 139	2 85 A07 001	50		0.247	97	117	88	30	20
50	2	16	158 400 140	2 85 A07 001	50		0.273	97	121	88	30	24
63	1 ½	16	158 400 141	2 85 A07 001	30		0.421	114	135	104	35	20
63	2	16	158 400 142	2 85 A07 001	30		0.470	114	139	104	35	24
63	2 ½	16	158 400 143	2 85 A07 001	25		0.427	114	143	104	35	28
75	2	16	158 400 144	2 85 A07 001	18		0.768	135	170	133	41	24
75	2 ½	16	158 400 145	2 85 A07 001	18		0.763	135	174	133	41	28
75	3	16	158 400 146	2 85 A07 001	18		0.791	135	177	133	41	30
90	2	16	158 400 147	2 85 A07 001	8		1.225	161	189	150	44	24
90	2 ½	16	158 400 148	2 85 A07 001	8		1.139	161	193	150	44	28
90	3	16	158 400 149	2 85 A07 001	8		1.144	161	196	150	44	30
90	4	16	158 400 150	2 85 A07 001	8		1.201	161	202	150	44	36
110	3	16	158 400 151	2 85 A07 001	6		1.831	185	222	175	53	30
110	4	16	158 400 152	2 85 A07 001	6		1.854	185	228	175	53	36

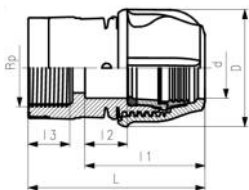


Female adaptor

- with stainless steel reinforcement ring (**AISI430**)
- installation without disassembling
- suitable for PE and PEX pipes
- water PN16
- material: PP
- gasket: EPDM quality for drinkable water
- female thread: ISO 7 (parallel)
- colour: blue-black

d	Rp	PN	Code	PF	SP	GP	Weight	D	L	L1	L2	L3
(mm)	(inch)	(bar)					(kg)	(mm)	(mm)	(mm)	(mm)	(mm)
16	½	16	158 400 355	2 85 A07 020	10	70	0.061	45	74	46	19	15
20	½	16	158 400 088	2 85 A07 001	10	220	0.040	45	75	54	19	15
20	¾	16	158 400 089	2 85 A07 001	10	200	0.047	45	77	54	19	16
25	½	16	158 400 090	2 85 A07 001	10	170	0.059	53	81	59	21	15

table continued on the next page



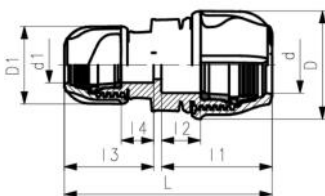
d	Rp	PN	Code	PF	SP	GP	Weight	D	L	l1	l2	l3
(mm)	(inch)	(bar)					(kg)	(mm)	(mm)	(mm)	(mm)	(mm)
25	¾	16	158 400 091	2 85 A07 001	10	170	0.063	53	81	59	21	16
25	1	16	158 400 092	2 85 A07 001	10	150	0.072	53	87	59	21	20
32	¾	16	158 400 093	2 85 A07 001	10	110	0.095	64	90	66	23	16
32	1	16	158 400 094	2 85 A07 001	10	110	0.100	64	94	66	23	20
32	1 ¼	16	158 400 095	2 85 A07 001	10	100	0.116	64	97	66	23	22
40	1	16	158 400 096	2 85 A07 001	90		0.163	75	105	76	26	20
40	1 ¼	16	158 400 097	2 85 A07 001	90		0.164	75	107	76	26	22
40	1 ½	16	158 400 098	2 85 A07 001	90		0.175	75	108	76	26	22
50	1	16	158 400 099	2 85 A07 001	45		0.280	97	117	88	30	20
50	1 ¼	16	158 400 100	2 85 A07 001	45		0.287	97	119	88	30	22
50	1 ½	16	158 400 101	2 85 A07 001	45		0.291	97	119	88	30	22
50	2	16	158 400 102	2 85 A07 001	40		0.327	97	125	88	30	26
63	1 ½	16	158 400 103	2 85 A07 001	25		0.439	114	137	104	35	22
63	2	16	158 400 104	2 85 A07 001	25		0.461	114	141	104	35	26
63	2 ½	16	158 400 105	2 85 A07 001	18		0.530	114	148	104	35	31
75	2	16	158 400 106	2 85 A07 001	18		0.811	135	173	133	41	26
75	2 ½	16	158 400 107	2 85 A07 001	18		0.843	135	178	133	41	31
75	3	10	158 400 108	2 85 A07 001	16		0.906	135	183	133	41	34
90	2	16	158 400 109	2 85 A07 001	8		1.264	161	192	150	44	26
90	2 ½	16	158 400 110	2 85 A07 001	8		1.297	161	197	150	44	31
90	3	10	158 400 111	2 85 A07 001	8		1.354	161	199	150	44	34
110	3	10	158 400 112	2 85 A07 001	6		1.927	185	226	175	53	34
110	4	10	158 400 113	2 85 A07 001	6		2.009	185	232	175	53	40

PF 2 85 A07 001

Reducing coupling



- installation without disassembling
- suitable for PE and PEX pipes
- water PN16
- material: PP
- gasket: EPDM quality for drinkable water
- colour: blue-black

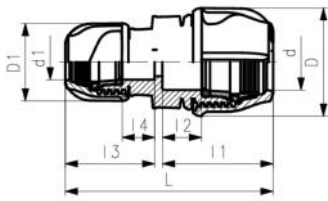


d	d-d	PN	Code	SP	GP	Weight
(mm)	(mm)	(bar)				(kg)
25	25 - 20	16	158 400 153	10	120	0.088
32	32 - 20	16	158 400 154	10	90	0.118
32	32 - 25	16	158 400 155	10	90	0.128
40	40 - 25	16	158 400 156	65		0.179
40	40 - 32	16	158 400 157	65		0.208
50	50 - 32	16	158 400 158	40		0.326
50	50 - 40	16	158 400 159	35		0.351
63	63 - 32	16	158 400 160	20		0.492
63	63 - 40	16	158 400 161	20		0.519
63	63 - 50	16	158 400 162	18		0.624
75	75 - 50	16	158 400 163	15		0.966
75	75 - 63	16	158 400 164	12		1.082
90	90 - 63	16	158 400 165	8		1.536
90	90 - 75	16	158 400 166	6		1.836
110	110 - 90	16	158 400 167	3		2.827

d1	D	D1	L	l1	l2	l3	l4
(mm)	(mm)	(mm)	(mm)	(mm)	(mm)	(mm)	(mm)
20	53	45	117	59	21	54	19
20	64	45	130	66	23	54	19
25	64	53	130	66	23	59	21
25	75	53	160	76	26	59	21
32	75	64	164	76	26	66	23
32	97	64	175	88	30	66	23
40	97	75	204	88	30	76	26
32	114	64	210	104	35	66	23
40	114	75	216	104	35	76	26

table continued on the next page

PF 2 85 A07 001

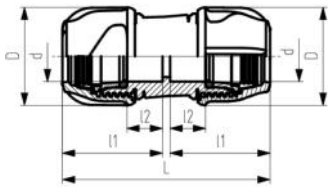


d1	D	D1	L	l1	l2	l3	l4
(mm)	(mm)	(mm)	(mm)	(mm)	(mm)	(mm)	(mm)
50	114	97	216	104	35	88	30
50	135	97	237	133	41	88	30
63	135	114	249	133	41	104	35
63	161	114	292	150	44	104	35
75	161	135	366	150	44	133	41
90	185	161	363	175	53	150	44



Coupling

- installation without disassembling
- suitable for PE and PEX pipes
- water PN16
- material: PP
- gasket: EPDM quality for drinkable water
- colour: blue-black



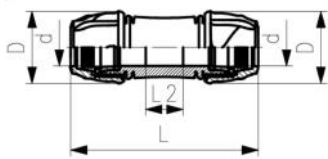
d	PN	Code	PF	SP	GP	Weight	D	L	l1	l2
(mm)	(bar)					(kg)	(mm)	(mm)	(mm)	(mm)
16	16	158 400 350	2 85 A07 020	10	50	0.108	45	112	46	19
20	16	158 400 001	2 85 A07 001	10	150	0.066	45	112	54	19
25	16	158 400 002	2 85 A07 001	10	100	0.095	53	123	59	21
32	16	158 400 003	2 85 A07 001	10	70	0.155	64	138	66	23
40	16	158 400 004	2 85 A07 001	55		0.237	75	157	76	26
50	16	158 400 005	2 85 A07 001	25		0.424	97	181	88	30
63	16	158 400 006	2 85 A07 001	15		0.727	114	213	104	35
75	16	158 400 007	2 85 A07 001	12		1.347	135	273	133	41
90	16	158 400 008	2 85 A07 001	4		2.164	161	306	150	44
110	16	158 400 009	2 85 A07 001	3		3.168	185	358	175	53

PF 2 85 A07 001



Repairing coupling (without pipe stop)

- installation without disassembling
- suitable for PE and PEX pipes
- water PN16
- material: PP
- gasket: EPDM quality for drinkable water
- colour: blue-black

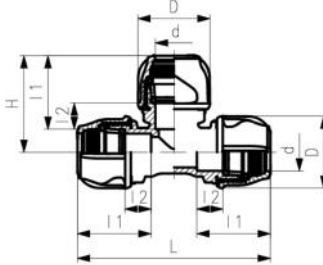


d	PN	Code	SP	GP	Weight	D	L	l2
(mm)	(bar)				(kg)	(mm)	(mm)	(mm)
20	16	158 400 168	10	140	0.071	45	129	21
25	16	158 400 169	10	100	0.107	53	144	25
32	16	158 400 170	10	50	0.171	63	165	33
40	16	158 400 171	35		0.275	75	193	41
50	16	158 400 172	24		0.488	97	225	50
63	16	158 400 173	14		0.879	114	270	63
75	16	158 400 174	8		1.574	135	340	74
90	16	158 400 175	4		2.329	161	394	90
110	16	158 400 176	2		3.793	185	464	110



90° Tee

- installation without disassembling
- suitable for PE and PEX pipes
- water PN16
- material: PP
- gasket: EPDM quality for drinkable water
- colour: blue-black



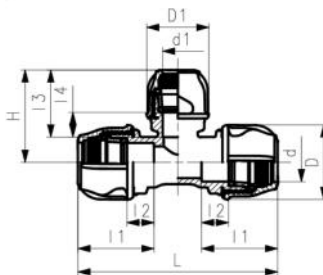
d (mm)	PN (bar)	Code	PF	SP	GP	Weight (kg)	D (mm)	L (mm)	l1 (mm)	l2 (mm)	H (mm)
16	16	158 400 354	2 85 A07 020	10	30	0.160	45	134	46	19	67
20	16	158 400 223	2 85 A07 001	10	100	0.098	45	134	54	19	67
25	16	158 400 224	2 85 A07 001	10	70	0.147	53	150	59	21	75
32	16	158 400 225	2 85 A07 001	10	40	0.238	64	173	66	23	87
40	16	158 400 226	2 85 A07 001	30		0.391	75	203	76	26	87
50	16	158 400 227	2 85 A07 001	12		0.753	97	239	88	30	119
63	16	158 400 228	2 85 A07 001	8		1.203	114	288	104	35	144
75	16	158 400 229	2 85 A07 001	5		2.207	135	360	133	41	180
90	16	158 400 230	2 85 A07 001	2		3.596	161	413	150	44	207
110	16	158 400 231	2 85 A07 001	1		5.342	185	484	175	53	242

PF 2 85 A07 001

90° Reducing-Increasing Tee



- installation without disassembling
- suitable for PE and PEX pipes
- water PN16
- material: PP
- gasket: EPDM quality for drinkable water
- colour: blue-black



d-d-d (mm)	PN (bar)	Code	SP	GP	Weight (kg)
20 - 25 - 20	16	158 400 200	10	70	0.100
25 - 20 - 25	16	158 400 232	10	70	0.133
25 - 32 - 25	16	158 400 201	10	50	0.181
32 - 25 - 32	16	158 400 233	10	40	0.213
40 - 32 - 40	16	158 400 234	30		0.348
50 - 32 - 50	16	158 400 235	15		0.596
50 - 40 - 50	16	158 400 236	12		0.643
63 - 32 - 63	16	158 400 237	8		0.948
63 - 50 - 63	16	158 400 238	8		1.076
75 - 63 - 75	16	158 400 239	5		1.915
90 - 75 - 90	16	158 400 240	2		3.196
110 - 63 - 110	16	158 400 241	1		4.148
110 - 90 - 110	16	158 400 242	1		4.865

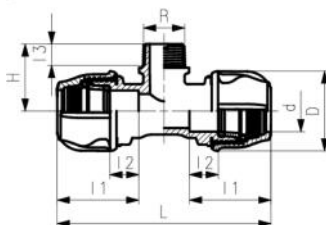
d-d-d (mm)	d (mm)	d1 (mm)	D (mm)	D1 (mm)	L (mm)	l1 (mm)	l2 (mm)	l4 (mm)	l3 (mm)	H (mm)
20 - 25 - 20	20	25	45	53	134	54	19	59	21	81
25 - 20 - 25	25	20	53	45	150	59	21	54	19	71
25 - 32 - 25	25	32	53	64	150	59	21	66	23	93
32 - 25 - 32	32	25	64	53	173	66	23	59	21	81
40 - 32 - 40	40	32	75	64	203	76	26	66	23	93
50 - 32 - 50	50	32	97	64	239	88	30	66	23	99
50 - 40 - 50	50	40	97	75	239	88	30	76	26	109
63 - 32 - 63	63	32	114	64	288	104	35	66	23	108
63 - 50 - 63	63	50	114	97	288	104	35	88	30	129
75 - 63 - 75	75	63	135	114	360	133	41	104	35	157
90 - 75 - 90	90	75	161	135	413	150	44	133	41	196
110 - 63 - 110	110	63	185	144	484	175	53	104	35	182
110 - 90 - 110	110	90	185	161	484	175	53	150	44	224

PF 2 85 A07 001

90° Tee with threaded male off take



- installation without disassembling
- suitable for PE and PEX pipes
- water PN16
- material: PP
- gasket: EPDM quality for drinkable water
- male thread: ISO 7 (conical)
- colour: blue-black



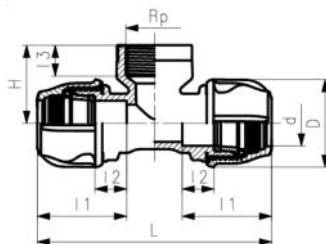
d	R	PN	Code	SP	GP	Weight	D	L	I1	I2	I3	H
(mm)	(inch)	(bar)				(kg)	(mm)	(mm)	(mm)	(mm)	(mm)	(mm)
20	½	16	158 400 202	10	120	0.072	45	134	54	19	14	41
20	¾	16	158 400 203	10	120	0.073	45	134	54	19	15	42
25	½	16	158 400 204	10	80	0.108	53	150	59	21	14	44
25	¾	16	158 400 205	10	80	0.110	53	150	59	21	15	46
25	1	16	158 400 206	10	80	0.115	53	150	59	21	17	48
32	¾	16	158 400 207	10	60	0.178	64	173	66	23	15	51
32	1	16	158 400 208	10	50	0.179	64	173	66	21	17	53
40	¾	16	158 400 209	45		0.282	75	203	76	26	15	57
40	1 ¼	16	158 400 210	30		0.297	75	203	76	26	20	62
40	1 ½	16	158 400 211	30		0.300	75	203	76	26	20	62
50	¾	16	158 400 212	16		0.532	97	239	88	30	15	65
50	1 ¼	16	158 400 213	16		0.501	97	239	88	30	20	70
50	1 ½	16	158 400 214	16		0.557	97	239	88	30	20	70
63	1 ¼	16	158 400 215	8		0.874	114	288	104	35	20	81
63	1 ½	16	158 400 216	8		0.905	114	288	104	35	20	81
63	2	16	158 400 217	8		0.888	114	288	104	35	24	85
63	2 ½	16	158 400 218	8		0.926	114	288	104	35	28	89
75	2 ½	16	158 400 219	7		1.621	135	360	133	41	28	101
75	3	16	158 400 220	6		1.738	135	360	133	41	30	104
90	3	16	158 400 221	2		2.647	161	413	150	44	30	116
110	4	16	158 400 222	2		4.022	185	484	175	53	36	138

PF 2 85 A07 001

90° Tee with threaded female off take

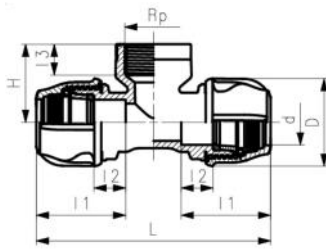


- with stainless steel reinforcement ring (**AISI430**)
- installation without disassembling
- suitable for PE and PEX pipes
- water PN16
- material: PP
- gasket: EPDM quality for drinkable water
- female thread: ISO 7 (parallel)
- colour: blue-black



d	Rp	PN	Code	SP	GP	Weight	D	L	I1	I2	I3	H
(mm)	(inch)	(bar)				(kg)	(mm)	(mm)	(mm)	(mm)	(mm)	(mm)
16	½	16	158 400 359	10	30	0.126	45	134	54	19	15	40
20	½	16	158 400 177	10	100	0.079	45	134	54	19	15	40
20	¾	16	158 400 178	10	100	0.080	45	134	54	19	16	41
25	½	16	158 400 179	10	80	0.105	53	150	59	21	15	40
25	¾	16	158 400 180	10	80	0.117	53	150	59	21	16	44
25	1	16	158 400 181	10	70	0.125	53	150	59	21	20	49
32	½	16	158 400 182	10	50	0.172	64	173	66	23	15	42
32	¾	16	158 400 183	10	50	0.182	64	173	66	23	16	46
32	1	16	158 400 184	10	50	0.188	64	173	66	23	20	54
32	1 ¼	16	158 400 185	10	50	0.208	64	173	66	23	22	57
40	¾	16	158 400 186	35		0.283	75	203	76	26	16	49
40	1	16	158 400 187	35		0.295	75	203	76	26	20	57
40	1 ¼	16	158 400 188	35		0.310	75	203	76	26	22	62
40	1 ½	16	158 400 189	35		0.322	75	206	76	26	22	63
50	1	16	158 400 190	22		0.547	97	239	88	30	20	61
50	1 ¼	16	158 400 191	22		0.569	97	239	88	30	22	66
50	1 ½	16	158 400 192	22		0.585	97	171	88	30	22	70
50	2	16	158 400 193	18		0.613	97	239	88	30	26	75
63	1 ¼	16	158 400 194	10		0.882	114	288	104	35	22	73

PF 2 85 A07 001

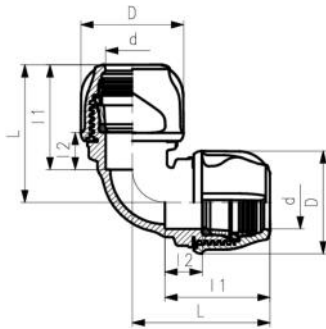


d	Rp	PN	Code	SP	GP	Weight	D	L	l1	l2	l3	H
(mm)	(inch)	(bar)				(kg)	(mm)	(mm)	(mm)	(mm)	(mm)	(mm)
63	1 ½	16	158 400 195	10		0.908	114	288	104	35	22	76
63	2	16	158 400 196	10		0.948	114	207	104	35	26	83
75	2 ½	16	158 400 197	6		1.749	135	360	133	41	31	101
90	3	10	158 400 198	3		2.620	161	413	150	44	34	116
110	4	10	158 400 199	2		4.162	185	484	175	53	40	135



90° Elbow

- installation without disassembling
- suitable for PE and PEX pipes
- water PN16
- material: PP
- gasket: EPDM quality for drinkable water
- colour: blue-black

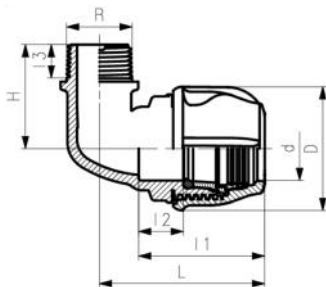


d	PN	Code	PF	SP	GP	Weight	D	L	l1	l2
(mm)	(bar)					(kg)	(mm)	(mm)	(mm)	(mm)
16	16	158 400 356	2 85 A07 020	10	50	0.108	44	113	46	19
20	16	158 400 070	2 85 A07 001	10	150	0.066	45	67	54	19
25	16	158 400 071	2 85 A07 001	10	100	0.105	53	75	59	21
32	16	158 400 072	2 85 A07 001	10	60	0.172	64	87	66	23
40	16	158 400 073	2 85 A07 001	30		0.265	75	102	76	26
50	16	158 400 074	2 85 A07 001	24		0.509	97	119	88	30
63	16	158 400 075	2 85 A07 001	10		0.821	114	144	104	35
75	16	158 400 076	2 85 A07 001	8		1.479	135	180	133	41
90	16	158 400 077	2 85 A07 001	3		2.435	161	207	150	44
110	16	158 400 078	2 85 A07 001	2		3.584	185	242	175	53



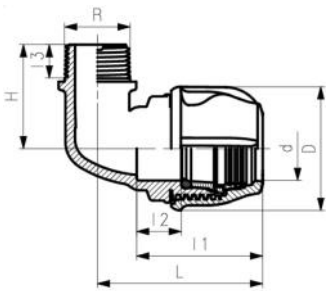
90° Elbow with threaded male off take

- installation without disassembling
- suitable for PE and PEX pipes
- water PN16
- material: PP
- gasket: EPDM quality for drinkable water
- male thread: ISO 7 (conical)
- colour: blue-black



d	R	PN	Code	PF	SP	GP	Weight
(mm)	(inch)	(bar)					(kg)
16	½	16	158 400 357	2 85 A07 020	10	60	0.062
20	½	16	158 400 047	2 85 A07 001	10	200	0.041
20	¾	16	158 400 048	2 85 A07 001	10	200	0.043
25	½	16	158 400 049	2 85 A07 001	10	150	0.062
25	¾	16	158 400 050	2 85 A07 001	10	150	0.062
25	1	16	158 400 051	2 85 A07 001	10	150	0.067
32	½	16	158 400 052	2 85 A07 001	10	120	0.100
32	¾	16	158 400 053	2 85 A07 001	10	110	0.098
32	1	16	158 400 054	2 85 A07 001	10	100	0.105
40	1	16	158 400 055	2 85 A07 001	70		0.159
40	1 ¼	16	158 400 056	2 85 A07 001	70		0.175
40	1 ½	16	158 400 057	2 85 A07 001	70		0.175
50	1 ¼	16	158 400 058	2 85 A07 001	45		0.301
50	1 ½	16	158 400 059	2 85 A07 001	45		0.316
63	1 ¼	16	158 400 060	2 85 A07 001	25		0.478
63	1 ½	16	158 400 061	2 85 A07 001	25		0.492
63	2	16	158 400 062	2 85 A07 001	20		0.513
63	2 ½	16	158 400 063	2 85 A07 001	15		0.534

table continued on the next page



d	R	PN	Code	PF	SP	GP	Weight
(mm)	(inch)	(bar)					(kg)
75	2 ½	16	158 400 064	2 85 A07 001	12		0.932
75	3	16	158 400 065	2 85 A07 001	10		0.969
90	3	16	158 400 066	2 85 A07 001	7		1.421
90	4	16	158 400 067	2 85 A07 001	7		1.598
110	3	16	158 400 068	2 85 A07 001	4		2.168
110	4	16	158 400 069	2 85 A07 001	2		2.239

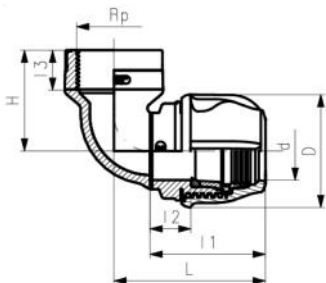
d	R	D	L	l1	l2	l3	H
(mm)	(inch)	(mm)	(mm)	(mm)	(mm)	(mm)	(mm)
16	½	46	91	46	19	14	41
20	½	45	67	54	19	14	41
20	¾	45	67	54	19	15	42
25	½	53	75	59	21	14	44
25	¾	53	75	59	21	15	46
25	1	53	75	59	21	17	48
32	½	64	87	66	23	14	49
32	¾	64	87	66	23	15	51
32	1	64	87	66	23	17	53
40	1	75	102	76	26	17	60
40	1 ¼	75	102	75	26	20	62
40	1 ½	75	102	75	26	20	62
50	1 ¼	97	119	88	30	20	70
50	1 ½	97	117	88	30	20	70
63	1 ¼	114	144	104	35	20	81
63	1 ½	114	144	104	35	20	81
63	2	114	144	104	35	24	85
63	2 ½	114	144	104	35	28	89
75	2 ½	135	180	133	41	28	101
75	3	135	180	133	41	30	104
90	3	161	207	150	44	30	116
90	4	161	207	150	44	36	122
110	3	185	242	175	53	30	131
110	4	185	242	175	53	36	138

PF 2 85 A07 001

90° Elbow with threaded female off take



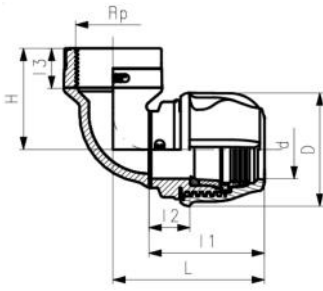
- with stainless steel reinforcement ring (AISI430)
- gasket: EPDM quality for drinkable water
- installation without disassembling
- suitable for PE and PEX pipes
- water PN16
- material: PP
- female thread: ISO 7 (parallel)
- colour: blue-black



d	Rp	PN	Code	SP	GP	Weight	D	L	l1	l2	l3	H
(mm)	(inch)	(bar)				(kg)	(mm)	(mm)	(mm)	(mm)	(mm)	(mm)
16	½	16	158 400 360	10	50	0.068	45	67	54	19	15	40
20	½	16	158 400 022	10	180	0.047	45	67	54	19	15	40
20	¾	16	158 400 023	10	180	0.049	45	67	54	19	16	40
25	½	16	158 400 024	10	150	0.060	53	75	59	21	15	40
25	¾	16	158 400 025	10	150	0.060	53	75	59	21	16	44
25	1	16	158 400 026	10	120	0.078	53	75	59	21	16	44
32	½	16	158 400 027	10	110	0.089	64	87	66	23	15	43
32	¾	16	158 400 028	10	110	0.106	64	87	66	23	16	46
32	1	16	158 400 029	10	100	0.117	64	87	66	23	20	54
32	1 ¼	16	158 400 030	10	90	0.127	64	87	66	23	22	57
40	¾	16	158 400 031	70		0.159	75	102	76	26	16	49
40	1	16	158 400 032	70		0.178	75	102	76	26	20	57
40	1 ¼	16	158 400 033	70		0.182	75	102	76	26	22	62
40	1 ½	16	158 400 034	50		0.198	75	102	76	26	22	63
50	1	16	158 400 035	30		0.281	97	119	88	30	20	61
50	1 ¼	16	158 400 036	30		0.320	97	119	88	30	22	66

table continued on the next page

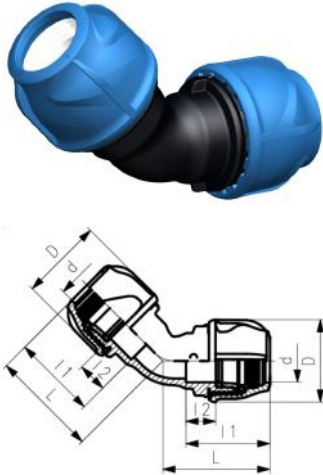
PF 2 85 A07 001



d (mm)	Rp (inch)	PN (bar)	Code	SP	GP	Weight (kg)	D (mm)	L (mm)	l1 (mm)	l2 (mm)	l3 (mm)	H (mm)
50	1 ½	16	158 400 037	30		0.335	97	119	88	30	22	70
50	2	16	158 400 038	30		0.348	97	119	88	30	26	75
63	1 ¼	16	158 400 039	15		0.502	114	144	104	35	22	73
63	1 ½	16	158 400 040	15		0.513	114	144	104	35	22	76
63	2	16	158 400 041	15		0.564	114	144	104	35	26	83
75	2	16	158 400 042	12		0.949	135	180	133	41	26	91
75	2 ½	16	158 400 043	12		0.988	135	180	133	41	31	101
75	3	10	158 400 044	10		1.105	135	180	133	41	34	108
90	3	10	158 400 045	6		1.607	161	207	150	44	34	116
110	4	10	158 400 046	3		2.482	185	242	175	53	40	135

PF 2 85 A07 001

45° Elbow



- installation without disassembling
- suitable for PE and PEX pipes
- water PN16
- material: PP
- gasket: EPDM quality for drinkable water
- colour: blue-black

d (mm)	PN (bar)	Code	SP	GP	Weight (kg)	D (mm)	L (mm)	l1 (mm)	l2 (mm)
20	16	158 400 016	10	150	0.065	45	65	54	19
25	16	158 400 017	10	90	0.101	53	82	59	21
32	16	158 400 018	10	60	0.164	64	84	66	23
40	16	158 400 019	30		0.264	75	96	76	26
50	16	158 400 020	20		0.511	97	113	88	30
63	16	158 400 021	10		0.819	114	133	104	35

PF 2 85 A07 001

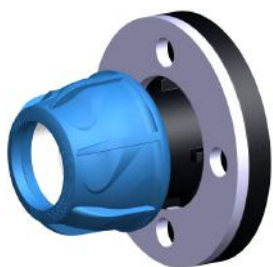
45° Elbow with threaded male off take



- installation without disassembling
- suitable for PE and PEX pipes
- water PN16
- material: PP
- gasket: EPDM quality for drinkable water
- male thread: ISO 7 (conical)
- colour: blue-black

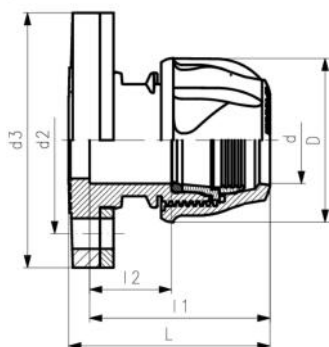
d (mm)	R (inch)	PN (bar)	Code	SP	GP	Weight (kg)	D (mm)	L (mm)	l1 (mm)	l2 (mm)	l3 (mm)	H (mm)
20	¾	16	158 400 010	10	150	0.037	45	65	54	19	14	26
25	¾	16	158 400 011	10	150	0.052	53	75	59	21	15	30
32	1	16	158 400 012	10	100	0.096	64	84	66	23	17	35
40	1 ¼	16	158 400 013	50		0.157	75	96	76	26	20	41
50	1 ½	16	158 400 014	35		0.269	97	113	88	30	20	44
63	2	16	158 400 015	20		0.482	114	133	104	35	24	53

PF 2 85 A07 001



Flanged joint with metal flange

- installation without disassembling
- suitable for PE and PEX pipes
- water PN16
- material: PP
- gasket: EPDM quality for drinkable water
- flange: steel
- colour: blue-black

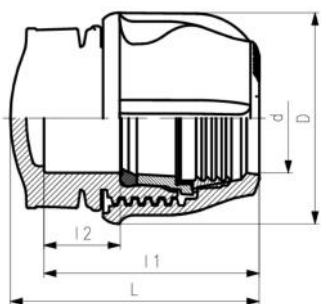


d	DN	DN	PN	Code	SP	Weight	D	d2	d3	L	l1	l2
(mm)	(inch)	(mm)	(bar)			(kg)	(mm)	(mm)	(mm)	(mm)	(mm)	(mm)
50	1 ½	40	16	158 400 114	16	1.131	97	110	150	118	88	30
50	2	50	16	158 400 115	16	1.168	97	125	160	119	88	30
63	2	50	16	158 400 116	12	1.277	114	125	160	13	104	35
63	2 ½	65	16	158 400 117	12	1.621	114	145	187	137	104	35
75	2 ½	65	16	158 400 118	8	1.932	135	145	187	170	133	41
75	3	80	16	158 400 119	6	2.131	135	160	205	168	133	41
90	3	80	16	158 400 120	6	2.561	161	160	205	192	150	44
90	4	100	16	158 400 121	6	2.892	161	180	220	195	150	44
110	4	100	16	158 400 122	6	3.133	185	180	220	223	175	53



End cap

- installation without disassembling
- suitable for PE and PEX pipes
- water PN16
- material: PP
- gasket: EPDM quality for drinkable water
- colour: blue-black



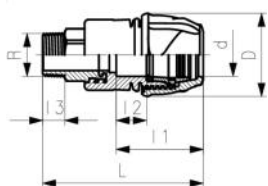
d	PN	Code	PF	SP	GP	Weight	D	L	l1	l2
(mm)	(bar)					(kg)	(mm)	(mm)	(mm)	(mm)
16	16	158 400 353	2 85 A07 020	10	80	0.057	45	60	46	19
20	16	158 400 079	2 85 A07 001	10	250	0.036	45	60	54	19
25	16	158 400 080	2 85 A07 001	10	180	0.054	53	67	59	21
32	16	158 400 081	2 85 A07 001	10	130	0.085	64	76	66	23
40	16	158 400 082	2 85 A07 001	100		0.136	75	89	76	26
50	16	158 400 083	2 85 A07 001	55		0.266	97	104	88	30
63	16	158 400 084	2 85 A07 001	30		0.422	114	124	104	35
75	16	158 400 085	2 85 A07 001	18		0.777	135	155	133	41
90	16	158 400 086	2 85 A07 001	8		1.230	161	178	150	44
110	16	158 400 087	2 85 A07 001	6		1.882	185	209	175	53

PF 2 85 A07 010



Metal transition coupling male

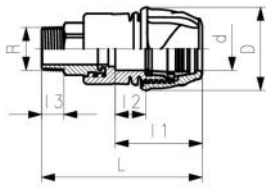
- installation without disassembling
- suitable for PE and PEX pipes
- water PN16
- material: PP / brass
- gasket: EPDM quality for drinkable water
- male thread: ISO 7 (conical) brass
- Metal insert with hexagon starting from R 1¼
- colour: blue-black



d	R	Code	SP	Weight	D	L	l3	l1	l2
(mm)	(inch)			(kg)	(mm)	(mm)	(mm)	(mm)	(mm)
20	½	158 400 281	50	0.112	45	100.6	14.7	54	19
25	¾	158 400 282	25	0.165	53	108.9	15.0	59	21
32	¾	158 400 283	18	0.200	64	117.2	15.0	66	23
32	1	158 400 284	18	0.269	64	122.7	17.0	66	23
32	1 ¼	158 400 285	14	0.527	64	136.1	19.0	66	23

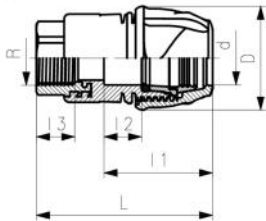
table continued on the next page

PF 2 85 A07 010



d (mm)	R (inch)	Code	SP	Weight (kg)	D (mm)	L (mm)	I3 (mm)	I1 (mm)	I2 (mm)
32	1 ½	158 400 286	12	0.555	64	139.4	20.0	66	23
40	1	158 400 287	12	0.342	75	138.2	17.0	76	26
40	1 ¼	158 400 288	12	0.547	75	143.9	19.0	76	26
40	1 ½	158 400 289	12	0.576	75	147.2	20.0	76	26
40	2	158 400 290	6	0.808	75	160.8	25.0	76	26
50	1 ¼	158 400 291	6	0.706	97	157.1	19.0	88	30
50	1 ½	158 400 292	6	0.733	97	160.4	20.0	88	30
63	1 ½	158 400 293	3	0.988	114	180.5	20.0	104	35
63	2	158 400 294	3	1.154	114	190.5	25.0	104	35

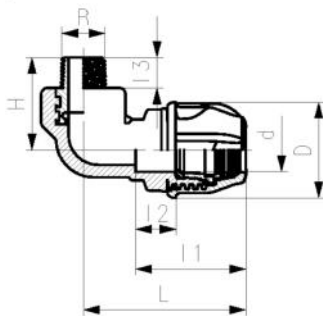
PF 2 85 A07 010



Metal transition coupling female

- installation without disassembling
- suitable for PE and PEX pipes
- water PN16
- material: PP / brass
- gasket: EPDM quality for drinkable water
- female thread: ISO 7 (parallel) brass
- Metal insert with hexagon starting from Rp 1 ¼
- colour: blue-black

d (mm)	Rp (inch)	Code	SP	Weight (kg)	D (mm)	L (mm)	I3 (mm)	I1 (mm)	I2 (mm)
20	½	158 400 295	50	0.093	45	87.1	54	19	13.2
25	¾	158 400 296	32	0.131	53	97.9	59	21	21.0
32	1	158 400 297	18	0.270	64	107.7	66	23	23.5
40	1 ¼	158 400 301	10	0.445	75	127.2	76	26	22.0
50	1 ½	158 400 302	6	0.619	97	141.9	88	30	22.0
63	2	158 400 303	2	0.988	114	165.5	104	85	25.0



Metal transition 90° elbow male

- installation without disassembling
- suitable for PE and PEX pipes
- water PN16
- material: PP / brass
- gasket: EPDM quality for drinkable water
- male thread: ISO 7 (conical) brass
- colour: blue-black

d (mm)	Rp (inch)	Code	SP	Weight (kg)	D (mm)	L (mm)	I1 (mm)	I2 (mm)	I3 (mm)	H (mm)
20	½	158 400 340	25	0.126	45	65	55	15	15	45
25	¾	158 400 341	13	0.206	53	75	60	18	15	60
32	1	158 400 342	8	0.360	64	100	70	25	17	70

PF 2 85 A07 001



Metal tightening wrench for iJOINT fittings; material size d20-d40: POM; material bigger sizes: Aluminium

d-d (mm)	Code	SP	Weight (kg)	L (mm)	L1 (mm)
20 - 40	158 400 997	15	0.116	295	85
20 - 75	158 400 998	2	0.656	540	115
63 - 110	158 400 999	2	1.642	660	165

PF 2 85 A07 001



Reduction KIT

- water PN16
- material: PP
- gasket: EPDM quality for drinkable water
- non-compliance with iJOINT repairing coupling

	d-d (mm)	Code	SP	GP	Weight (kg)
A	20 - 16	158 400 300	1	10	0.021
B	25 - 20	158 400 304	1	10	0.021
B	32 - 20	158 400 305	1	10	0.040
B	32 - 25	158 400 306	1	10	0.032
B	40 - 20	158 400 307	1	8	0.070
B	40 - 25	158 400 308	1	8	0.075
B	40 - 32	158 400 309	1	8	0.065
B	50 - 25	158 400 310	1	6	0.101
B	50 - 32	158 400 311	1	6	0.112
B	50 - 40	158 400 312	1	6	0.104
B	63 - 25	158 400 313	1	5	0.178
B	63 - 32	158 400 314	1	5	0.195
B	63 - 40	158 400 315	1	5	0.195
B	63 - 50	158 400 316	1	5	0.192

PF 2 85 A07 001



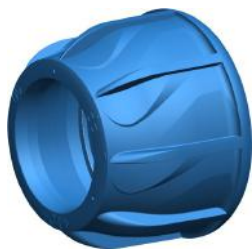
PVC KIT

- suitable for PVC-U and ABS pipes
- with PVC-U pipe: maximum operating pressure PN16
- with ABS pipe: maximum operating pressure PN10
- material: POM and brass
- non-compliance with iJOINT repairing coupling

d (mm)	Code	SP	GP	Weight (kg)
20	158 400 317	1	25	0.008
25	158 400 318	1	25	0.012
32	158 400 319	1	25	0.018
40	158 400 320	1	25	0.025
50	158 400 321	1	25	0.038
63	158 400 322	1	25	0.048

iJOINT Spare Parts

PF 2 85 A07 001



Nut

d (mm)	Code	Weight (kg)
20	158 400 266	0.015
25	158 400 267	0.022
32	158 400 268	0.036
40	158 400 269	0.055
50	158 400 270	0.095
63	158 400 271	0.169
75	158 400 272	0.310
90	158 400 273	0.469
110	158 400 274	0.760

PF 2 85 A07 001



Gasket

	d (mm)	Code	Weight (kg)
A	20	158 400 254	0.004
A	25	158 400 255	0.002
A	32	158 400 256	0.003
A	40	158 400 257	0.005
A	50	158 400 258	0.008
A	63	158 400 259	0.014
B	75	158 400 260	0.019
B	90	158 400 261	0.026
B	110	158 400 262	0.035

PF 2 85 A07 001



Repairing coupling gasket

d (mm)	Code	Weight (kg)
75	158 400 260	0.019
90	158 400 261	0.026
110	158 400 262	0.035
20	158 400 275	0.002
25	158 400 276	0.002
32	158 400 277	0.003
40	158 400 278	0.004
50	158 400 279	0.008
63	158 400 280	0.013

PF 2 85 A07 001

Split ring



	d (mm)	Code	Weight (kg)
A	20	158 400 244	0.004
A	25	158 400 245	0.006
A	32	158 400 246	0.010
A	40	158 400 247	0.015
A	50	158 400 248	0.027
A	63	158 400 249	0.025
B	75	158 400 250	0.052
B	90	158 400 251	0.075
B	110	158 400 252	0.116

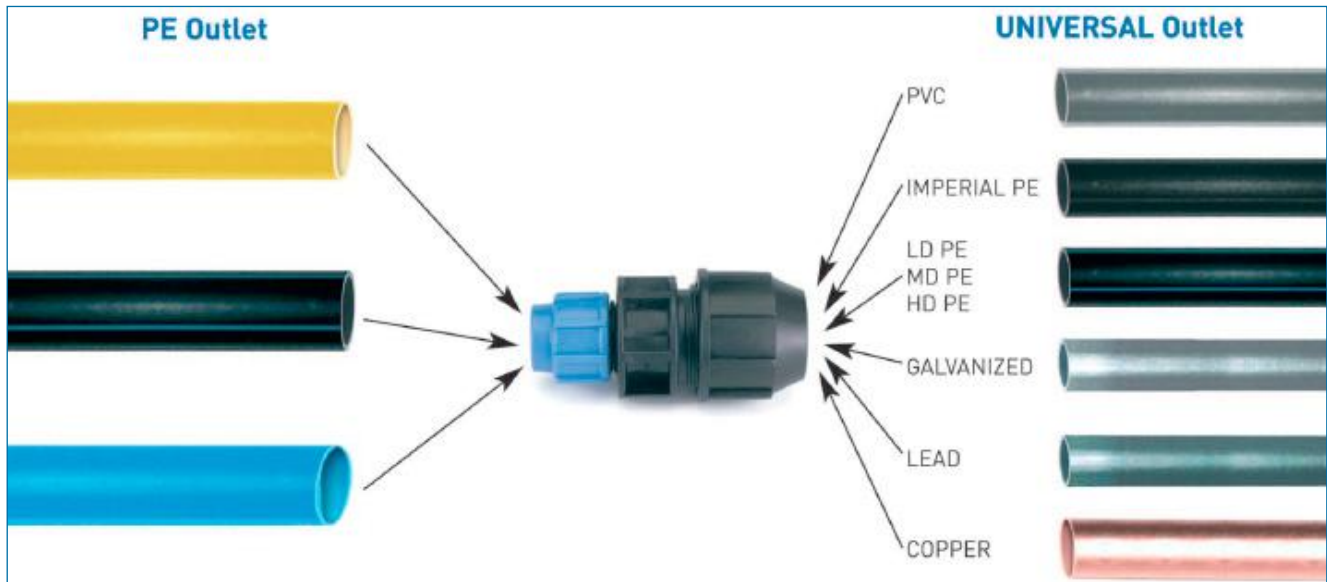
PF 2 85 A07 001

Thrust ring



	d (mm)	Code	Weight (kg)
A	20	158 400 323	0.003
A	25	158 400 324	0.004
A	32	158 400 325	0.006
A	40	158 400 326	0.009
A	63	158 400 328	0.029
A	50	158 400 327	0.017
B	75	158 400 263	0.054
B	90	158 400 264	0.077
B	110	158 400 265	0.113

Universal Fittings



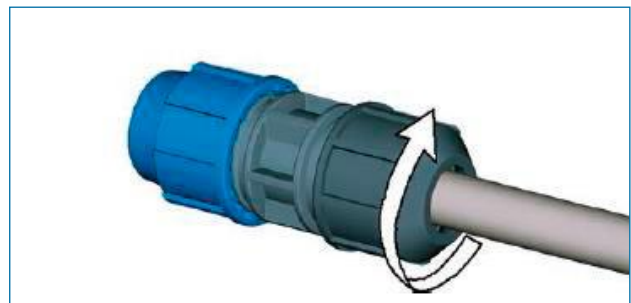
1. Cut the pipe at a 90-degree angle (square cut). When possible, it is recommended to bevel the edges of the cut in order to make the insertion easier.



2. Slacken the ring nut without removing from the body.



3. Insert the pipe end without tightening the nut. Push the fitting until the pipe reaches the stop.

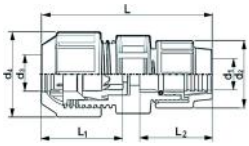


4. Hand tighten the nut and then tighten further with a proper tool. Do not screw the Universal nut without pipe.

In order to disassemble the Universal nut, keep in mind that the Universal split ring may require a manual opening of the ends to unvail the steel grippers from the pipe.

Attention: universal fittings components are NOT compatible with iJOINT standard fitting range

PF 2 85 A07 001



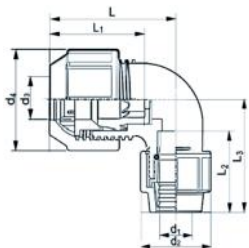
Coupling

- black offtake: suitable for Metric and Imperial PE, PEX, PVC, ABS, galvanized, lead, copper pipes
- blue offtake: suitable for PE pipe
- water PN10
- material: PP
- gasket: EPDM quality for drinkable water
- non-compliance with iJOINT
- colour: blue-black

PE outlet (mm)	Universal outlet (mm)	PN (bar)	Code	SP	GP	Weight (kg)
20	15 - 21	10	158 001 713	1	140	0.119
20	21 - 27	10	158 001 714	1	100	0.164
20	27 - 35	10	158 001 715	1	70	0.269
25	15 - 21	10	158 001 716	1	100	0.145
25	21 - 27	10	158 001 717	1	90	0.189
25	27 - 35	10	158 001 718	1	60	0.239
32	21 - 27	10	158 001 719	1	70	0.206
32	27 - 35	10	158 001 720	1	50	0.312

PE outlet (mm)	Universal outlet (mm)	PN (bar)	d1 (mm)	d2 (mm)	d3 (mm)	d4 (mm)	L (mm)	L1 (mm)	L2 (mm)
20	15 - 21	10	20	47	15 - 21	55	119	55	55
20	21 - 27	10	20	47	21 - 27	65	127	70	55
20	27 - 35	10	20	47	27 - 35	80	151	88	55
25	15 - 21	10	25	57	15 - 21	55	128	55	55
25	21 - 27	10	25	57	21 - 27	65	136	70	55
25	27 - 35	10	25	57	27 - 35	80	162	88	55
32	21 - 27	10	32	66	21 - 27	65	159	70	75
32	27 - 35	10	32	66	27 - 35	80	174	88	75

PF 2 85 A07 001



90° Elbow

- black offtake: suitable for Metric and Imperial PE, PEX, PVC, ABS, galvanized, lead, copper pipes
- blue offtake: suitable for PE pipe
- water PN10
- material: PP
- gasket: EPDM quality for drinkable water
- non-compliance with iJOINT
- colour: blue-black

PE outlet (mm)	Universal outlet (mm)	PN (bar)	Code	SP	GP	Weight (kg)
25	15 - 21	10	158 001 721	1	100	0.146
25	21 - 27	10	158 001 722	1	90	0.201

PE outlet (mm)	Universal outlet (mm)	PN (bar)	d1 (mm)	d2 (mm)	d3 (mm)	d4 (mm)	L (mm)	L1 (mm)	L2 (mm)	L3 (mm)
25	15 - 21	10	25	57	15 - 21	55	69	55	65	74
25	21 - 27	10	25	57	21 - 27	65	76	70	70	74

Plastic Wall plate Elbows

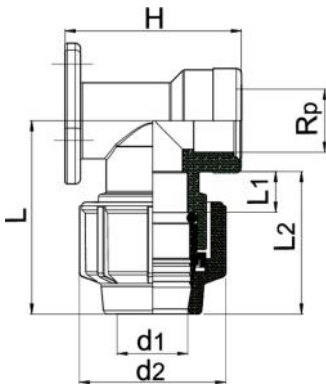
PF 2 85 A07 001



Plastic Wall plate Elbow

- gasket: EPDM quality for drinkable water
- suitable for PE and PEX-a pipes
- water PN16
- female thread: ISO 7 (parallel)

d	Rp	PN	Code	SP	GP	Weight	L	L1	L2	d1	d2	H
(mm)	(inch)	(bar)				(kg)	(mm)	(mm)	(mm)	(mm)	(mm)	(mm)
20	½	16	158 001 919	10	250	0.053	62	16	51	22	45	52
25	¾	16	158 001 920	5	120	0.098	80	16	63	28	56	66



iJOINT Tapping Saddles

iJoint tapping saddles can be used to drill the pipe line under pressure, when extending or replacing distribution networks is required. The complete range of iJOINT tapping saddles from 63 up to 160 mm can be installed at 16 bar working pressure even in wet site conditions.



+ Technical Specification

Pressure range

MOP of 16 bar for the complete range

Temperature range

-10 °C to +45 °C

Materials

Body

UV stabilized polypropylene (PP)

Nut and sealing cup

UV stabilized polypropylene (PP)

Cutter

brass

Clamp ring

Poyacetal (POM)

Gaskets

Food-safe EPDM double lip and NBR rubber suitable for potable water

Bolts and nuts

stainless steel

Standards

For PE pipes:

DIN EN 12201; ISO 11922-1; DIN 8074; EN 12201-1/2; AS/NZS 4130; BS 6572; BS 6730; ISO 4427; UNI 7990;

ISO 12162

For PVC pipes:

UNI EN 1452-1/2; DIN 8062; ISO 4422-1/2

Threads

DIN EN 10226 (ISO 7-1); BS 21; AS 1722.1

Test Standards

AS/NZS 4129

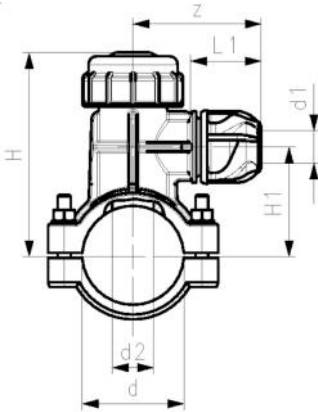
ISO 13460

PF 2 85 788 003

684C - Tapping Saddle for PE and PVC pipes with compression fitting offtake, flat gasket and stainless steel bolts and nuts



- water PN16
- suitable for PE, PEX-a and PVC pipes
- material: PP
- cutter: brass
- gasket: saddle: NBR O-ring with flat lip; offtake: EPDM double lip; sealing cup: NBR O-ring
- bolts and nuts : stainless steel
- colour: blue-black
- Key kit type (L=little; M=medium; B=big)
- B= N° of bolts
- M= bolt type
- Further offtake sizes obtainable with iJOINT reduction kit



d (mm)	d1 (mm)	PN (bar)	B	M	Key Kit type	Code	SP	GP	Weight (kg)
63	32	16	4	M8x50	L	158 400 702	1	8	0.536
75	40	16	4	M8x70	M	158 400 705	1	5	0.795
90	40	16	4	M8x70	M	158 400 708	1	5	0.853
110	25	16	6	M8x70	M	158 400 710	1	2	1.016
110	32	16	6	M8x70	M	158 400 711	1	2	1.042
110	63	16	6	M8x70	B	158 400 716	1	1	1.763
160	32	16	6	M10x110	B	158 400 720	1		2.214
160	63	16	6	M10x110	B	158 400 723	1		2.673

d (mm)	d1 (mm)	d2 (mm)	H (mm)	H1 (mm)	L (mm)	L1 (mm)	z (mm)
63	32	26	125	65	90	63	100
75	40	33	142	75	90	74	120
90	40	33	152	85	100	74	120
110	25	33	190	108	130	60	100
110	32	33	190	108	130	77	118
110	63	40	205	118	130	125	180
160	32	40	235	140	160	76	120
160	63	40	250	155	160	128	180

PF 2 85 788 003

Key kit for Tapping Saddle



- Essential for Tapping Saddle

Dim.	Code	SP	Weight (kg)
L (little)	158 001 777	4	0.552
M (medium)	158 001 778	4	0.710
B (big)	158 001 779	4	0.896

Clamp Saddles

A complete range of clamp saddles up to d 315 mm for water market. The blue saddle with flat gasket in NBR provides outstanding hydraulic performance even in case of out of roundness, scratched or undersized pipes. The flat gasket guarantees a perfect adherence to the pipe, increasing the contact surface, granting also high resistance in case of vacuum and/or suction.



+ Technical Specification

Table su Pressure range

MOP of 16 bar from 20 mm up to 160 x 2"
MOP of 10 bar from 160 x 3" up to 315 mm

Temperature range

-10 °C to + 45°C

Materials

Body
polypropylene copolymer stabilized (PP-B) with Master Batches UV stabilized (Grade 8, ASTM D2565, 1-8)
Gasket
Food safe rubber (NBR); 70 sh
Reinforcement ring
Stainless Steel AISI 430
Bolts and nuts
stainless steel or galvanized

Standards

For PE pipe:
ISO 11922-1; ISO 4427; DIN 8074; AS/NZS 4130;
EN 12201-1/2; BS 6572; BS 6730; UNI 7990
For PVC pipe:
UNI EN 1452-1/2
Threads:
ISO 7-1; DIN EN 10226-1; BS 21; AS 1722.1

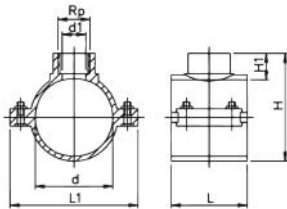
Test Standards

ISO 13460; AS/NZS 4129

654X - Blue clamp saddles with stainless steel reinforcement ring, flat gasket and stainless steel bolts and nuts (PN16-PN10)

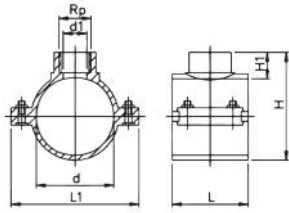


- water PN16-10
- suitable for PE and PVC pipes
- material: PP
- female thread: ISO 7 (parallel)
- gasket: O-ring with flat lip (NBR)
- reinforcement ring: stainless steel AISI430
- bolts and nuts : stainless steel
- colour: blue
- B= N° of bolts
- M= bolt type
- (*) with O-ring gasket



	d (mm)	Rp (inch)	PN (bar)	B	M	Code	SP	GP	Weight (kg)
*	20	½	16	2	M8X40	727 627 001	1	180	0.121
*	25	½	16	2	M8X30	727 627 011	1	150	0.110
*	25	¾	16	2	M8X30	727 627 012	1	150	0.123
*	32	½	16	2	M8X30	727 627 021	1	150	0.103
*	32	¾	16	2	M8X30	727 627 022	1	150	0.115
*	32	1	16	2	M8X40	727 627 023	1	100	0.164
	40	½	16	2	M8X40	727 627 031	1	100	0.137
	40	¾	16	2	M8X40	727 627 032	1	100	0.148
	40	1	16	2	M8X40	727 627 033	1	100	0.155
	50	½	16	4	M8X40	727 627 041	1	100	0.200
	50	¾	16	4	M8X40	727 627 042	1	100	0.213
	50	1	16	4	M8X40	727 627 043	1	100	0.221
	50	1 ¼	16	4	M8X40	727 627 044	1	100	0.225
	63	½	16	4	M8X40	727 627 051	1	60	0.216
	63	¾	16	4	M8X40	727 627 052	1	60	0.215
	63	1	16	4	M8X40	727 627 053	1	60	0.226
	63	1 ¼	16	4	M8X40	727 627 054	1	50	0.272
	63	1 ½	16	4	M8X40	727 627 055	1	50	0.279
	75	½	16	4	M8X60	727 627 061	1	40	0.364
	75	¾	16	4	M8X60	727 627 062	1	40	0.362
	75	1	16	4	M8X60	727 627 063	1	40	0.384
	75	1 ¼	16	4	M8X60	727 627 064	1	40	0.421
	75	1 ½	16	4	M8X60	727 627 065	1	40	0.428
	75	2	16	4	M8X60	727 627 066	1	40	0.437
	90	½	16	4	M8X60	727 627 071	1	34	0.412
	90	¾	16	4	M8X60	727 627 072	1	34	0.421
	90	1	16	4	M8X60	727 627 073	1	34	0.432
	90	1 ¼	16	4	M8X60	727 627 074	1	34	0.472
	90	1 ½	16	4	M8X60	727 627 075	1	30	0.474
	90	2	16	4	M8X60	727 627 076	1	30	0.481
	110	½	16	6	M8X50	158 050 498	1	20	0.511
	110	¾	16	6	M8X50	727 627 082	1	20	0.523
	110	1	16	6	M8X50	727 627 083	1	20	0.510
	110	1 ¼	16	6	M8X50	727 627 084	1	20	0.565
	110	1 ½	16	6	M8X50	727 627 085	1	20	0.545
	110	2	16	6	M8X50	727 627 086	1	20	0.570
	110	3	6	6	M8X70	727 627 087	1	12	1.108
	125	½	16	6	M8X50	727 627 091	1	20	0.578
	125	¾	16	6	M8X50	727 627 092	1	20	0.590
	125	1	16	6	M8X50	727 627 093	1	20	0.592
	125	1 ¼	16	6	M8X50	727 627 094	1	20	0.629
	125	1 ½	16	6	M8X50	727 627 095	1	20	0.627
	125	2	16	6	M8X50	727 627 096	1	20	0.640
	125	3	6	6	M8X70	727 627 097	1	12	1.009
	125	4	6	6	M8X70	727 627 098	1	12	1.051
	140	½	16	6	M8X70	727 627 101	1	12	0.830
	140	¾	16	6	M8X70	727 627 102	1	12	0.843
	140	1	16	6	M8X70	727 627 103	1	12	0.849
	140	1 ¼	16	6	M8X70	727 627 104	1	12	0.880

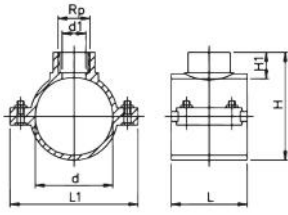
table continued on the next page



	d (mm)	Rp (inch)	PN (bar)	B	M	Code	SP	GP	Weight (kg)
	140	1 ½	16	6	M8X70	727 627 105	1	12	0.892
	140	2	16	6	M8X70	727 627 106	1	12	0.898
	140	3	10	6	M8X70	727 627 107	1	8	1.132
	140	4	10	6	M8X70	727 627 108	1	8	1.196
	160	½	16	6	M8X70	727 627 111	1	12	0.899
	160	¾	16	6	M8X70	727 627 112	1	12	0.908
	160	1	16	6	M8X70	727 627 113	1	12	0.917
	160	1 ¼	16	6	M8X70	727 627 114	1	12	0.950
	160	1 ½	16	6	M8X70	727 627 115	1	12	0.954
	160	2	16	6	M8X70	727 627 116	1	12	0.956
	160	3	10	6	M8X70	727 627 117	1	8	1.185
	160	4	10	6	M8X70	727 627 118	1	8	1.262
*	180	1	10	6	M10x80	727 627 123	1	4	1.980
*	180	1 ¼	10	6	M10x80	727 627 124	1	4	2.013
*	180	1 ½	10	6	M10x80	727 627 125	1	4	2.007
*	180	2	10	6	M10x80	727 627 126	1	4	2.018
*	180	3	10	6	M10x80	727 627 127	1	4	2.043
*	180	4	10	6	M10x80	727 627 128	1	4	2.092
*	200	1 ½	10	6	M10x80	727 627 135	1	4	1.966
*	200	2	10	6	M10x80	727 627 136	1	4	1.946
*	200	3	10	6	M10x80	727 627 137	1	4	1.980
*	200	4	10	6	M10x80	727 627 138	1	4	2.020
*	225	1 ½	10	6	M10x80	727 627 145	1	3	2.049
*	225	2	10	6	M10x80	727 627 146	1	3	2.049
*	225	3	10	6	M10x80	727 627 147	1	3	2.150
*	225	4	10	6	M10x80	727 627 148	1	3	2.184
*	250	2	10	6	M10x80	727 627 156	1	3	2.472
*	250	3	10	6	M10x80	727 627 157	1	3	2.466
*	250	4	10	6	M10x80	727 627 158	1	3	2.478
	280	2	10	6	M10x160	727 627 166	1	2	3.440
*	280	3	10	6	M10x160	727 627 167	1	2	3.543
*	280	4	10	6	M10x160	727 627 168	1	2	3.585
	315	2	10	6	M10x110	727 627 176	1		4.156
*	315	3	10	6	M10x110	727 627 177	1		4.267
*	315	4	10	6	M10x110	727 627 178	1		4.279

	d (mm)	Rp (inch)	d1 (mm)	L (mm)	L1 (mm)	H (mm)	H1 (mm)
*	20	½	12	46	77	59	26
*	25	½	13	49	79	58	15
*	25	¾	13	49	79	58	15
*	32	½	14	49	79	62	20
*	32	¾	14	49	79	62	20
*	32	1	14	62	87	70	20
	40	½	21	62	86	71	20
	40	¾	21	62	86	71	20
	40	1	21	62	86	70	19
	50	½	21	62	86	82	20
	50	¾	21	62	86	82	20
	50	1	21	62	86	82	20
	50	1 ¼	21	62	86	82	20
	63	½	18	62	101	96	21
	63	¾	24	62	101	96	21
	63	1	31	62	101	96	21
	63	1 ¼	31	62	101	96	21
	63	1 ½	31	62	101	96	21
	75	½	16	79	123	102	14
	75	¾	21	79	123	104	16
	75	1	27	79	123	107	19
	75	1 ¼	35	79	123	109	21
	75	1 ½	42	79	123	109	21
	75	2	53	79	123	112	24
	90	½	16	87	138	116	14

table continued on the next page

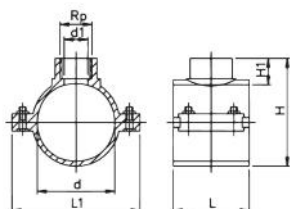


d	Rp	d1	L	L1	H	H1	
(mm)	(inch)	(mm)	(mm)	(mm)	(mm)	(mm)	
90	¾	21	87	138	118	16	
90	1	27	87	138	121	19	
90	1 ¼	35	87	138	123	21	
90	1 ½	42	87	138	123	21	
90	2	53	87	138	126	24	
110	½	15	99	152	150	23	
110	¾	20	99	152	150	23	
110	1	26	99	152	150	23	
110	1 ¼	35	99	152	150	23	
110	1 ½	41	99	152	150	23	
110	2	51	99	152	150	23	
110	3	85	99	152	150	23	
125	½	15	101	166	169	24	
125	¾	20	101	166	169	24	
125	1	26	101	166	169	24	
125	1 ¼	35	101	166	168	23	
125	1 ½	41	101	166	168	23	
125	2	50	101	166	168	23	
125	3	85	139	178	180	37	
125	4	90	139	178	181	38	
140	½	18	114	207	191	25	
140	¾	24	114	207	191	25	
140	1	30	114	207	191	25	
140	1 ¼	38	114	207	191	25	
140	1 ½	45	114	207	191	24	
140	2	50	114	207	191	24	
140	3	85	142	208	201	38	
140	4	90	142	208	201	38	
160	½	18	114	226	215	24	
160	¾	24	114	226	215	24	
160	1	30	114	226	215	24	
160	1 ¼	37	114	226	215	24	
160	1 ½	45	114	226	215	24	
160	2	51	114	226	215	24	
160	3	84	142	228	222	24	
160	4	90	142	228	222	24	
*	180	1	30	169	262	265	38
*	180	1 ¼	36	169	262	265	38
*	180	1 ½	42	169	262	265	38
*	180	2	54	169	262	265	38
*	180	3	84	169	262	265	38
*	180	4	108	169	262	265	38
*	200	1 ½	45	169	262	265	38
*	200	2	54	169	262	265	38
*	200	3	85	169	262	265	38
*	200	4	103	169	262	267	40
*	225	1 ½	45	174	287	287	26
*	225	2	51	174	287	287	26
*	225	3	85	174	287	295	37
*	225	4	103	174	287	295	38
*	250	2	55	178	310	314	38
*	250	3	85	178	310	314	38
*	250	4	103	178	310	314	38
	280	2	51	179	335	326	31
*	280	3	78	179	335	338	41
*	280	4	98	179	335	338	46
	315	2	51	246	390	350	31
*	315	3	78	246	390	363	41
*	315	4	98	246	390	363	46

654 - Blue clamp saddles with stainless steel reinforcing ring, flat gasket and galvanized bolts and nuts (PN16-PN10)

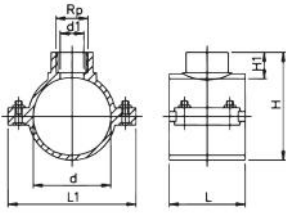


- bolts and nuts : galvanized
- colour: blue
- B= N° of bolts
- M= bolt type
- (*) with O-ring gasket
- water PN16-10
- suitable for PE and PVC pipes
- female thread: ISO 7 (parallel)
- gasket: O-ring with flat lip (NBR)
- material: PP
- reinforcement ring: stainless steel AISI430



	d	Rp	PN	B	M	Code	SP	GP	Weight
	(mm)	(inch)	(bar)						(kg)
*	20	½	16	2	M8X40	158 001 041	1	180	0.119
*	25	½	16	2	M8X30	158 001 042	1	150	0.110
*	25	¾	16	2	M8X30	158 001 043	1	150	0.123
*	32	½	16	2	M8X30	158 001 044	1	150	0.103
*	32	¾	16	2	M8X30	158 001 045	1	150	0.115
*	32	1	16	2	M8X40	158 001 046	1	100	0.162
	40	½	16	2	M8X40	158 001 047	1	100	0.135
	40	¾	16	2	M8X40	158 001 048	1	100	0.146
	40	1	16	2	M8X40	158 001 049	1	100	0.153
	50	½	16	4	M8X40	158 001 050	1	100	0.196
	50	¾	16	4	M8X40	158 001 051	1	100	0.209
	50	1	16	4	M8X40	158 001 052	1	100	0.217
	50	1 ¼	16	4	M8X40	158 001 053	1	100	0.221
	63	½	16	4	M8X40	158 001 054	1	60	0.212
	63	¾	16	4	M8X40	158 001 055	1	60	0.222
	63	1	16	4	M8X40	158 001 056	1	60	0.228
	63	1 ¼	16	4	M8X40	158 001 058	1	50	0.268
	63	1 ½	16	4	M8X40	158 001 057	1	50	0.275
	75	½	16	4	M8X60	158 001 059	1	40	0.364
	75	¾	16	4	M8X60	158 001 060	1	40	0.376
	75	1	16	4	M8X60	158 001 061	1	40	0.384
	75	1 ¼	16	4	M8X60	158 001 063	1	40	0.421
	75	1 ½	16	4	M8X60	158 001 062	1	40	0.428
	75	2	16	4	M8X60	158 001 064	1	40	0.437
	90	½	16	4	M8X60	158 001 065	1	34	0.412
	90	¾	16	4	M8X60	158 001 066	1	34	0.421
	90	1	16	4	M8X60	158 001 067	1	34	0.432
	90	1 ¼	16	4	M8X60	158 001 069	1	34	0.472
	90	1 ½	16	4	M8X60	158 001 068	1	30	0.474
	90	2	16	4	M8X60	158 001 070	1	30	0.481
	110	½	16	6	M8X50	158 001 071	1	20	0.511
	110	¾	16	6	M8X50	158 001 072	1	20	0.523
	110	1	16	6	M8X50	158 001 073	1	20	0.533
	110	1 ¼	16	6	M8X50	158 001 075	1	20	0.565
	110	1 ½	16	6	M8X50	158 001 074	1	20	0.566
	110	2	16	6	M8X50	158 001 076	1	20	0.570
	110	3	6	6	M8x70	158 001 077	1	12	1.108
	125	½	16	6	M8X50	158 001 078	1	20	0.578
	125	¾	16	6	M8X50	158 001 079	1	20	0.590
	125	1	16	6	M8X50	158 001 080	1	20	0.592
	125	1 ¼	16	6	M8X50	158 001 082	1	20	0.629
	125	1 ½	16	6	M8X50	158 001 081	1	20	0.627
	125	2	16	6	M8X50	158 001 083	1	20	0.640
	125	3	6	6	M8X70	158 001 084	1	12	1.009
	125	4	6	6	M8X70	158 001 085	1	12	1.051
	140	½	16	6	M8X70	158 001 086	1	12	0.830
	140	¾	16	6	M8X70	158 001 087	1	12	0.843
	140	1	16	6	M8X70	158 001 088	1	12	0.849
	140	1 ¼	16	6	M8X70	158 001 090	1	12	0.880

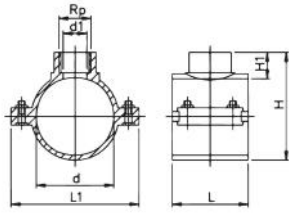
table continued on the next page



	d (mm)	Rp (inch)	PN (bar)	B	M	Code	SP	GP	Weight (kg)
	140	1 ½	16	6	M8X70	158 001 089	1	12	0.892
	140	2	16	6	M8X70	158 001 091	1	12	0.898
	140	3	10	6	M8X70	158 001 092	1	8	1.132
	140	4	10	6	M8X70	158 001 093	1	8	1.196
	160	½	16	6	M8X70	158 001 094	1	12	0.899
	160	¾	16	6	M8X70	158 001 095	1	12	0.908
	160	1	16	6	M8X70	158 001 096	1	12	0.917
	160	1 ¼	16	6	M8X70	158 001 098	1	12	0.950
	160	1 ½	16	6	M8X70	158 001 097	1	12	0.954
	160	2	16	6	M8X70	158 001 099	1	12	0.956
	160	3	10	6	M8X70	158 001 100	1	8	1.185
	160	4	10	6	M8X70	158 001 101	1	8	1.262
*	180	1	10	6	M10X80	158 001 102	1	4	1.980
*	180	1 ½	10	6	M10X80	158 001 103	1	4	2.007
*	180	1 ¼	10	6	M10X80	158 001 104	1	4	2.013
*	180	2	10	6	M10X80	158 001 105	1	4	2.018
*	180	3	10	6	M10X80	158 001 106	1	4	2.043
*	180	4	10	6	M10X80	158 001 107	1	4	2.092
*	200	1 ½	10	6	M10X80	158 001 108	1	4	1.966
*	200	2	10	6	M10X80	158 001 109	1	4	1.946
*	200	3	10	6	M10X80	158 001 110	1	4	1.980
*	200	4	10	6	M10X80	158 001 111	1	4	2.020
*	225	1 ½	10	6	M10X80	158 001 112	1	3	2.049
*	225	2	10	6	M10X80	158 001 113	1	3	2.050
*	225	3	10	6	M10X80	158 001 114	1	3	2.150
*	225	4	10	6	M10X80	158 001 115	1	3	2.184
*	250	2	10	6	M10X80	158 001 116	1	3	2.472
*	250	3	10	6	M10X80	158 001 117	1	3	2.466
*	250	4	10	6	M10X80	158 001 118	1	3	2.478
	280	2	10	6	M10X160	158 001 119	1	2	3.440
*	280	3	10	6	M10X160	158 001 120	1	2	3.543
*	280	4	10	6	M10X160	158 001 121	1	2	3.585
	315	2	10	6	M10X110	158 001 122	1		4.156
*	315	3	10	6	M10X110	158 001 123	1		4.267
*	315	4	10	6	M10X110	158 001 124	1		4.279

	d (mm)	Rp (inch)	d1 (mm)	L (mm)	L1 (mm)	H (mm)	H1 (mm)
*	20	½	12	46	77	59	26
*	25	½	13	49	79	58	15
*	25	¾	13	49	79	58	15
*	32	½	14	49	79	62	20
*	32	¾	14	49	79	62	20
*	32	1	14	62	87	70	20
	40	½	21	62	86	71	20
	40	¾	21	62	86	71	20
	40	1	21	62	86	70	19
	50	½	21	62	86	82	20
	50	¾	21	62	86	82	20
	50	1	21	62	86	82	20
	50	1 ¼	21	62	86	82	20
	63	½	18	62	101	96	21
	63	¾	24	62	101	96	21
	63	1	31	62	101	96	21
	63	1 ¼	31	62	101	96	21
	63	1 ½	31	62	101	96	21
	75	½	16	79	123	102	14
	75	¾	21	79	123	104	16
	75	1	27	79	123	107	19
	75	1 ¼	35	79	123	109	21
	75	1 ½	42	79	123	109	21
	75	2	53	79	123	112	24
	90	½	16	87	138	116	14

table continued on the next page

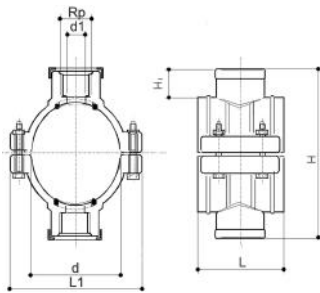


	d	Rp	d1	L	L1	H	H1
	(mm)	(inch)	(mm)	(mm)	(mm)	(mm)	(mm)
	90	¾	21	87	138	118	16
	90	1	27	87	138	121	19
	90	1 ¼	35	87	138	123	21
	90	1 ½	42	87	138	123	21
	90	2	53	87	138	126	24
	110	½	15	99	152	150	23
	110	¾	20	99	152	150	23
	110	1	26	99	152	150	23
	110	1 ¼	35	99	152	150	23
	110	1 ½	41	99	152	150	23
	110	2	51	99	152	150	23
	110	3	85	99	152	150	23
	125	½	15	101	166	169	24
	125	¾	20	101	166	169	24
	125	1	26	101	166	169	24
	125	1 ¼	35	101	166	168	23
	125	1 ½	41	101	166	168	23
	125	2	50	101	166	168	23
	125	3	85	139	178	180	37
	125	4	90	139	178	181	38
	140	½	18	114	207	191	25
	140	¾	24	114	207	191	25
	140	1	30	114	207	191	25
	140	1 ¼	38	114	207	191	25
	140	1 ½	45	114	207	191	24
	140	2	50	114	207	191	24
	140	3	85	142	208	201	38
	140	4	90	142	208	201	38
	160	½	18	114	226	215	24
	160	¾	24	114	226	215	24
	160	1	30	114	226	215	24
	160	1 ¼	37	114	226	215	24
	160	1 ½	45	114	226	215	24
	160	2	51	114	226	215	24
	160	3	84	142	228	222	38
	160	4	90	142	228	222	38
*	180	1	30	169	262	265	38
*	180	1 ½	54	169	262	265	38
*	180	1 ¼	36	169	262	265	38
*	180	2	54	169	262	265	38
*	180	3	85	169	262	265	38
*	180	4	103	169	262	267	40
*	200	1 ½	45	169	262	265	38
*	200	2	54	169	262	265	38
*	200	3	85	169	262	265	38
*	200	4	103	169	262	267	40
*	225	1 ½	45	145	287	287	26
*	225	2	51	145	287	287	26
*	225	3	85	174	287	295	37
*	225	4	103	174	287	295	38
*	250	2	55	178	310	314	38
*	250	3	85	178	310	314	38
*	250	4	103	178	310	314	38
	280	2	51	179	335	326	31
*	280	3	78	179	335	338	41
*	280	4	98	179	335	338	46
	315	2	51	246	390	350	31
*	315	3	78	246	390	363	41
*	315	4	98	246	390	363	46

664 - Double blue clamp saddles with stainless steel reinforcing ring, flat gasket and galvanized bolts and nuts (PN16-PN10)

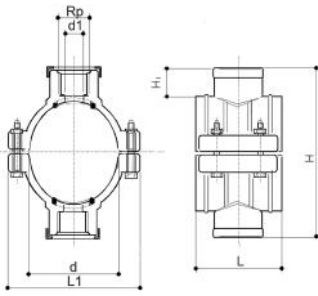


- female thread: ISO 7 (parallel)
- material: PP
- gasket: O-ring with flat lip (NBR)
- reinforcement ring: stainless steel AISI430
- bolts and nuts : galvanized
- colour: blue
- B= N° of bolts
- M= bolt type
- (*) with O-ring gasket
- water PN16-10
- suitable for PE and PVC pipes



	d (mm)	Rp (inch)	PN (bar)	B	M	Code	SP	GP	Weight (kg)
*	20	½	16	2	M8X40	158 001 125	1	30	0.152
*	25	½	16	2	M8X30	158 001 126	1	30	0.130
*	25	¾	16	2	M8X30	158 001 127	1	30	0.156
*	32	½	16	2	M8X30	158 001 128	1	30	0.124
*	32	¾	16	2	M8X30	158 001 129	1	30	0.148
*	32	1	16	2	M8X50	158 001 130	1	30	0.212
	40	½	16	2	M8X50	158 001 131	1	30	0.168
	40	¾	16	2	M8X50	158 001 132	1	30	0.190
	40	1	16	2	M8X50	158 001 133	1	30	0.204
	50	½	16	4	M8X50	158 001 134	1	30	0.236
	50	¾	16	4	M8X50	158 001 135	1	30	0.262
	50	1	16	4	M8X50	158 001 136	1	30	0.278
	50	1 ¼	16	4	M8X50	158 001 137	1	30	0.286
	63	½	16	4	M8X50	158 001 138	1	30	0.254
	63	¾	16	4	M8X50	158 001 139	1	30	0.274
	63	1	16	4	M8X50	158 001 140	1	30	0.286
	63	1 ¼	16	4	M8X50	158 001 142	1	30	0.366
	63	1 ½	16	4	M8X50	158 001 141	1	30	0.380
	75	½	16	4	M8X70	158 001 143	1	20	0.392
	75	¾	16	4	M8X70	158 001 144	1	20	0.416
	75	1	16	4	M8X70	158 001 145	1	20	0.432
	75	1 ¼	16	4	M8X70	158 001 147	1	20	0.506
	75	1 ½	16	4	M8X70	158 001 146	1	20	0.520
	75	2	16	4	M8X70	158 001 148	1	20	0.538
	90	½	16	4	M8X70	158 001 149	1	15	0.440
	90	¾	16	4	M8X70	158 001 150	1	15	0.458
	90	1	16	4	M8X70	158 001 151	1	15	0.480
	90	1 ¼	16	4	M8X70	158 001 153	1	15	0.560
	90	1 ½	16	4	M8X70	158 001 152	1	15	0.564
	90	2	16	4	M8X70	158 001 154	1	15	0.578
	110	½	16	6	M8X70	158 001 155	1	5	0.572
	110	¾	16	6	M8X70	158 001 156	1	5	0.596
	110	1	16	6	M8X70	158 001 157	1	5	0.616
	110	1 ¼	16	6	M8X70	158 001 159	1	5	0.680
	110	1 ½	16	6	M8X70	158 001 158	1	5	0.682
	110	2	16	6	M8X70	158 001 160	1	5	0.690
	110	3	6	6	M8X70	158 001 161	1	4	1.362
	125	½	16	6	M8X70	158 001 162	1	5	0.642
	125	¾	16	6	M8X70	158 001 163	1	5	0.666
	125	1	16	6	M8X70	158 001 164	1	5	0.670
	125	1 ¼	16	6	M8X70	158 001 166	1	5	0.744
	125	1 ½	16	6	M8X70	158 001 165	1	5	0.740
	125	2	16	6	M8X70	158 001 167	1	5	0.766
	125	3	6	6	M8X70	158 001 168	1	4	1.238
	125	4	6	6	M8X70	158 001 169	1	4	1.322
	140	½	16	6	M8X70	158 001 170	1	9	0.868
	140	¾	16	6	M8X70	158 001 171	1	9	0.894
	140	1	16	6	M8X70	158 001 172	1	9	0.906
	140	1 ¼	16	6	M8X70	158 001 174	1	9	0.968

table continued on the next page

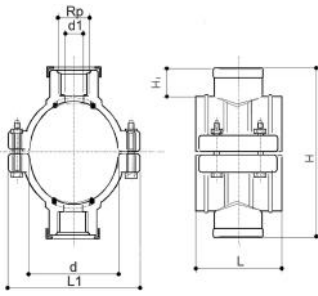


	d (mm)	Rp (inch)	PN (bar)	B	M	Code	SP	GP	Weight (kg)
	140	1 ½	16	6	M8X70	158 001 173	1	9	0.992
	140	2	16	6	M8X70	158 001 175	1	9	1.004
	140	3	10	6	M8X70	158 001 176	1	3	1.326
	140	4	10	6	M8X70	158 001 177	1	3	1.454
	160	½	16	6	M8X70	158 001 178	1	9	0.928
	160	¾	16	6	M8X70	158 001 179	1	9	0.946
	160	1	16	6	M8X70	158 001 180	1	9	0.964
	160	1 ¼	16	6	M8X70	158 001 182	1	9	1.030
	160	1 ½	16	6	M8X70	158 001 181	1	9	1.038
	160	2	16	6	M8X70	158 001 183	1	9	1.042
	160	3	10	6	M8X70	158 001 184	1	3	1.376
	160	4	10	6	M8X70	158 001 185	1	3	1.530

	d (mm)	Rp (inch)	PN (bar)	d1 (mm)	L (mm)	L1 (mm)	H (mm)	H1 (mm)
*	20	½	16	12	46	77	84	26
*	25	½	16	13	49	79	80	15
*	25	¾	16	13	49	79	80	15
*	32	½	16	14	49	79	80	20
*	32	¾	16	14	62	87	87	20
*	32	1	16	14	62	87	91	20
	40	½	16	21	62	86	91	20
	40	¾	16	21	62	86	91	20
	40	1	16	21	62	86	89	19
	50	½	16	21	62	86	101	20
	50	¾	16	21	62	86	101	20
	50	1	16	21	62	86	101	20
	50	1 ¼	16	21	62	86	101	20
	63	½	16	18	62	101	115	21
	63	¾	16	24	62	101	115	21
	63	1	16	31	62	101	115	21
	63	1 ¼	16	31	62	101	115	21
	63	1 ½	16	31	62	101	115	21
	75	½	16	16	79	123	115	14
	75	¾	16	21	79	123	119	16
	75	1	16	27	79	123	125	19
	75	1 ¼	16	35	79	123	129	21
	75	1 ½	16	42	79	123	129	21
	75	2	16	53	79	123	135	24
	90	½	16	16	87	138	129	14
	90	¾	16	21	87	138	133	16
	90	1	16	27	87	138	139	19
	90	1 ¼	16	35	87	138	145	21
	90	1 ½	16	42	87	138	145	21
	90	2	16	53	87	138	151	24
	110	½	16	15	99	152	169	23
	110	¾	16	20	99	152	169	23
	110	1	16	26	99	152	169	23
	110	1 ¼	16	35	99	152	169	23
	110	1 ½	16	41	99	152	169	23
	110	2	16	51	99	152	169	23
	110	3	6	85	99	152	169	23
	125	½	16	15	101	166	189	24
	125	¾	16	20	101	166	189	24
	125	1	16	26	101	166	189	24
	125	1 ¼	16	35	101	166	188	23
	125	1 ½	16	41	101	166	188	23
	125	2	16	50	101	166	188	23
	125	3	6	85	139	178	188	37
	125	4	6	90	139	178	188	38
	140	½	16	18	114	207	209	25
	140	¾	16	24	114	207	208	25
	140	1	16	30	114	207	208	25

table continued on the next page

PF 2 85 523 100



d	Rp	PN	d1	L	L1	H	H1
(mm)	(inch)	(bar)	(mm)	(mm)	(mm)	(mm)	(mm)
140	1 ¼	16	38	114	207	208	25
140	1 ½	16	45	114	207	206	24
140	2	16	50	114	207	207	24
140	3	10	85	142	208	207	38
140	4	10	90	142	208	207	38
160	½	16	18	114	226	225	24
160	¾	16	24	114	226	225	24
160	1	16	30	114	226	225	24
160	1 ¼	16	37	114	226	225	24
160	1 ½	16	45	114	226	225	24
160	2	16	51	114	226	225	24
160	3	10	85	142	228	225	38
160	4	10	90	142	228	225	38

Black Clamp Saddles

Clamp saddles from d 20 up to d 110 mm, threaded branch from 1/2" to 2", provided with 2 or 4 bolts according to the diameter. Features: Robust design and anti-rotation ribs
Application: irrigation



+ Technical Specification

Pressure range

MOP of 12,5 bar from 20 mm up to 110 mm

Temperature range

-10 °C to +45 °C

Materials

Body
UV stabilized polypropylene (PP)
Gasket
Food-safe NBR rubber suitable for potable water.
Reinforcement ring
Stainless Steel AISI 430
Bolts and nuts
Galvanized

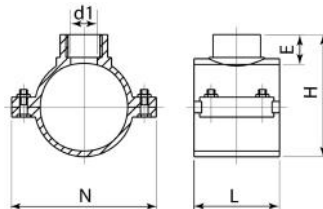
Standards

For PE pipe:
DIN EN 12201; ISO 11922-1; DIN 8074; EN 12201-1/2; AS/NZS 4130; BS 6572; BS 6730; ISO 4427; UNI 7990;
ISO 12162
Threads:
DIN EN 10226 (ISO 7-1); BS 21; AS 1722.1

Test Standards

AS/NZS 4129
ISO 13460

150 - Black clamp saddles with O-ring gasket and galvanized bolts and nuts (PN12,5)



- B = No. of bolts
- M = bolt type
- suitable for PE and PVC pipes
- material: PP
- female thread: ISO 7 (parallel)

d (mm)	Rp (inch)	PN (psi)	B	M	Code	SP	GP	Weight (kg)	d1 (mm)	L (mm)	L1 (mm)	H (mm)	H1 (mm)
20	1/2	12,5	2	M8X30	158 001 590	1	180	0.109	12	46	77	59	26
25	1/2	12,5	2	M8X30	158 001 591	1	150	0.100	13	49	79	58	15
25	3/4	12,5	2	M8X30	158 001 592	1	150	0.104	13	49	79	58	15
32	1/2	12,5	2	M8X30	158 001 593	1	150	0.093	14	49	79	62	20
32	3/4	12,5	2	M8X30	158 001 594	1	150	0.097	14	49	79	62	20
32	1	12,5	2	M8X30	158 001 595	1	100	0.139	14	62	87	70	20
40	1/2	12,5	2	M8X40	158 001 596	1	100	0.124	21	62	86	71	20
40	3/4	12,5	2	M8X40	158 001 597	1	100	0.125	21	62	86	71	20
40	1	12,5	2	M8X40	158 001 598	1	100	0.128	21	62	86	70	19
50	1/2	12,5	2	M8X40	158 001 599	1	100	0.134	21	62	86	82	20
50	3/4	12,5	2	M8X40	158 001 600	1	100	0.087	21	62	86	82	20
50	1	12,5	2	M8X40	158 001 601	1	100	0.139	21	62	86	82	20
50	1 1/4	12,5	2	M8X40	158 001 602	1	100	0.137	21	62	86	82	20
63	1/2	12,5	4	M8X40	158 001 605	1	70	0.201	18	62	101	96	21
63	3/4	12,5	4	M8X40	158 001 606	1	70	0.203	24	62	101	96	21
63	1	12,5	4	M8X40	158 001 607	1	70	0.205	31	62	101	96	21
63	1 1/4	12,5	4	M8X40	158 001 609	1	60	0.211	31	62	101	96	21
63	1 1/2	12,5	4	M8X40	158 001 608	1	60	0.218	31	62	101	96	21
75	1/2	12,5	4	M8X70	158 001 610	1	40	0.342	16	79	123	102	14
75	3/4	12,5	4	M8X70	158 001 611	1	40	0.345	21	79	123	104	16
75	1	12,5	4	M8X70	158 001 612	1	40	0.349	27	79	123	107	19
75	1 1/4	12,5	4	M8X70	158 001 614	1	40	0.352	35	79	123	109	21
75	1 1/2	12,5	4	M8X70	158 001 613	1	40	0.354	42	79	123	109	21
75	2	12,5	4	M8X70	158 001 615	1	40	0.366	53	79	123	112	24
90	1/2	12,5	4	M8X70	158 001 616	1	34	0.391	16	87	138	116	14
90	3/4	12,5	4	M8X70	158 001 617	1	34	0.363	21	87	138	118	16
90	1	12,5	4	M8X70	158 001 618	1	34	0.396	27	87	138	121	19
90	1 1/4	12,5	4	M8X70	158 001 620	1	34	0.403	35	87	138	123	21
90	1 1/2	12,5	4	M8X70	158 001 619	1	30	0.404	42	87	138	123	21
90	2	12,5	4	M8X70	158 001 621	1	30	0.412	53	87	138	126	24
110	1/2	12,5	4	M8X50	158 001 622	1	13	0.439	15	99	152	150	23
110	3/4	12,5	4	M8X50	158 001 623	1	20	0.433	20	99	152	150	23
110	1	12,5	4	M8X50	158 001 624	1	20	0.430	26	99	152	150	23
110	1 1/4	12,5	4	M8X50	158 001 626	1	20	0.433	35	99	152	150	23
110	1 1/2	12,5	4	M8X50	158 001 625	1	20	0.439	41	99	152	150	23
110	2	12,5	4	M8X50	158 001 627	1	20	0.443	51	99	152	150	23

Index

Code	Page	Code	Page	Code	Page	Code	Page
158 001 041	30	158 001 103	31	158 001 165	33	158 001 718	22
158 001 042	30	158 001 104	31	158 001 166	33	158 001 719	22
158 001 043	30	158 001 105	31	158 001 167	33	158 001 720	22
158 001 044	30	158 001 106	31	158 001 168	33	158 001 721	22
158 001 045	30	158 001 107	31	158 001 169	33	158 001 722	22
158 001 046	30	158 001 108	31	158 001 170	33	158 001 777	25
158 001 047	30	158 001 109	31	158 001 171	33	158 001 778	25
158 001 048	30	158 001 110	31	158 001 172	33	158 001 779	25
158 001 049	30	158 001 111	31	158 001 173	34	158 001 919	23
158 001 050	30	158 001 112	31	158 001 174	33	158 001 920	23
158 001 051	30	158 001 113	31	158 001 175	34	158 050 498	27
158 001 052	30	158 001 114	31	158 001 176	34	158 400 001	10
158 001 053	30	158 001 115	31	158 001 177	34	158 400 002	10
158 001 054	30	158 001 116	31	158 001 178	34	158 400 003	10
158 001 055	30	158 001 117	31	158 001 179	34	158 400 004	10
158 001 056	30	158 001 118	31	158 001 180	34	158 400 005	10
158 001 057	30	158 001 119	31	158 001 181	34	158 400 006	10
158 001 058	30	158 001 120	31	158 001 182	34	158 400 007	10
158 001 059	30	158 001 121	31	158 001 183	34	158 400 008	10
158 001 060	30	158 001 122	31	158 001 184	34	158 400 009	10
158 001 061	30	158 001 123	31	158 001 185	34	158 400 010	15
158 001 062	30	158 001 124	31	158 001 590	37	158 400 011	15
158 001 063	30	158 001 125	33	158 001 591	37	158 400 012	15
158 001 064	30	158 001 126	33	158 001 592	37	158 400 013	15
158 001 065	30	158 001 127	33	158 001 593	37	158 400 014	15
158 001 066	30	158 001 128	33	158 001 594	37	158 400 015	15
158 001 067	30	158 001 129	33	158 001 595	37	158 400 016	15
158 001 068	30	158 001 130	33	158 001 596	37	158 400 017	15
158 001 069	30	158 001 131	33	158 001 597	37	158 400 018	15
158 001 070	30	158 001 132	33	158 001 598	37	158 400 019	15
158 001 071	30	158 001 133	33	158 001 599	37	158 400 020	15
158 001 072	30	158 001 134	33	158 001 600	37	158 400 021	15
158 001 073	30	158 001 135	33	158 001 601	37	158 400 022	14
158 001 074	30	158 001 136	33	158 001 602	37	158 400 023	14
158 001 075	30	158 001 137	33	158 001 605	37	158 400 024	14
158 001 076	30	158 001 138	33	158 001 606	37	158 400 025	14
158 001 077	30	158 001 139	33	158 001 607	37	158 400 026	14
158 001 078	30	158 001 140	33	158 001 608	37	158 400 027	14
158 001 079	30	158 001 141	33	158 001 609	37	158 400 028	14
158 001 080	30	158 001 142	33	158 001 610	37	158 400 029	14
158 001 081	30	158 001 143	33	158 001 611	37	158 400 030	14
158 001 082	30	158 001 144	33	158 001 612	37	158 400 031	14
158 001 083	30	158 001 145	33	158 001 613	37	158 400 032	14
158 001 084	30	158 001 146	33	158 001 614	37	158 400 033	14
158 001 085	30	158 001 147	33	158 001 615	37	158 400 034	14
158 001 086	30	158 001 148	33	158 001 616	37	158 400 035	14
158 001 087	30	158 001 149	33	158 001 617	37	158 400 036	14
158 001 088	30	158 001 150	33	158 001 618	37	158 400 037	15
158 001 089	31	158 001 151	33	158 001 619	37	158 400 038	15
158 001 090	30	158 001 152	33	158 001 620	37	158 400 039	15
158 001 091	31	158 001 153	33	158 001 621	37	158 400 040	15
158 001 092	31	158 001 154	33	158 001 622	37	158 400 041	15
158 001 093	31	158 001 155	33	158 001 623	37	158 400 042	15
158 001 094	31	158 001 156	33	158 001 624	37	158 400 043	15
158 001 095	31	158 001 157	33	158 001 625	37	158 400 044	15
158 001 096	31	158 001 158	33	158 001 626	37	158 400 045	15
158 001 097	31	158 001 159	33	158 001 627	37	158 400 046	15
158 001 098	31	158 001 160	33	158 001 713	22	158 400 047	13
158 001 099	31	158 001 161	33	158 001 714	22	158 400 048	13
158 001 100	31	158 001 162	33	158 001 715	22	158 400 049	13
158 001 101	31	158 001 163	33	158 001 716	22	158 400 050	13
158 001 102	31	158 001 164	33	158 001 717	22	158 400 051	13

Index

Code	Page	Code	Page	Code	Page	Code	Page
158 400 052	13	158 400 114	16	158 400 176	10	158 400 238	11
158 400 053	13	158 400 115	16	158 400 177	12	158 400 239	11
158 400 054	13	158 400 116	16	158 400 178	12	158 400 240	11
158 400 055	13	158 400 117	16	158 400 179	12	158 400 241	11
158 400 056	13	158 400 118	16	158 400 180	12	158 400 242	11
158 400 057	13	158 400 119	16	158 400 181	12	158 400 244	20
158 400 058	13	158 400 120	16	158 400 182	12	158 400 245	20
158 400 059	13	158 400 121	16	158 400 183	12	158 400 246	20
158 400 060	13	158 400 122	16	158 400 184	12	158 400 247	20
158 400 061	13	158 400 123	8	158 400 185	12	158 400 248	20
158 400 062	13	158 400 124	8	158 400 186	12	158 400 249	20
158 400 063	13	158 400 125	8	158 400 187	12	158 400 250	20
158 400 064	14	158 400 126	8	158 400 188	12	158 400 251	20
158 400 065	14	158 400 127	8	158 400 189	12	158 400 252	20
158 400 066	14	158 400 128	8	158 400 190	12	158 400 254	19
158 400 067	14	158 400 129	8	158 400 191	12	158 400 255	19
158 400 068	14	158 400 130	8	158 400 192	12	158 400 256	19
158 400 069	14	158 400 131	8	158 400 193	12	158 400 257	19
158 400 070	13	158 400 132	8	158 400 194	12	158 400 258	19
158 400 071	13	158 400 133	8	158 400 195	13	158 400 259	19
158 400 072	13	158 400 134	8	158 400 196	13	158 400 260	19
158 400 073	13	158 400 135	8	158 400 197	13	158 400 261	19
158 400 074	13	158 400 136	8	158 400 198	13	158 400 262	19
158 400 075	13	158 400 137	8	158 400 199	13	158 400 263	20
158 400 076	13	158 400 138	8	158 400 200	11	158 400 264	20
158 400 077	13	158 400 139	8	158 400 201	11	158 400 265	20
158 400 078	13	158 400 140	8	158 400 202	12	158 400 266	19
158 400 079	16	158 400 141	8	158 400 203	12	158 400 267	19
158 400 080	16	158 400 142	8	158 400 204	12	158 400 268	19
158 400 081	16	158 400 143	8	158 400 205	12	158 400 269	19
158 400 082	16	158 400 144	8	158 400 206	12	158 400 270	19
158 400 083	16	158 400 145	8	158 400 207	12	158 400 271	19
158 400 084	16	158 400 146	8	158 400 208	12	158 400 272	19
158 400 085	16	158 400 147	8	158 400 209	12	158 400 273	19
158 400 086	16	158 400 148	8	158 400 210	12	158 400 274	19
158 400 087	16	158 400 149	8	158 400 211	12	158 400 275	19
158 400 088	8	158 400 150	8	158 400 212	12	158 400 276	19
158 400 089	8	158 400 151	8	158 400 213	12	158 400 277	19
158 400 090	8	158 400 152	8	158 400 214	12	158 400 278	19
158 400 091	9	158 400 153	9	158 400 215	12	158 400 279	19
158 400 092	9	158 400 154	9	158 400 216	12	158 400 280	19
158 400 093	9	158 400 155	9	158 400 217	12	158 400 281	16
158 400 094	9	158 400 156	9	158 400 218	12	158 400 282	16
158 400 095	9	158 400 157	9	158 400 219	12	158 400 283	16
158 400 096	9	158 400 158	9	158 400 220	12	158 400 284	16
158 400 097	9	158 400 159	9	158 400 221	12	158 400 285	16
158 400 098	9	158 400 160	9	158 400 222	12	158 400 286	17
158 400 099	9	158 400 161	9	158 400 223	11	158 400 287	17
158 400 100	9	158 400 162	9	158 400 224	11	158 400 288	17
158 400 101	9	158 400 163	9	158 400 225	11	158 400 289	17
158 400 102	9	158 400 164	9	158 400 226	11	158 400 290	17
158 400 103	9	158 400 165	9	158 400 227	11	158 400 291	17
158 400 104	9	158 400 166	9	158 400 228	11	158 400 292	17
158 400 105	9	158 400 167	9	158 400 229	11	158 400 293	17
158 400 106	9	158 400 168	10	158 400 230	11	158 400 294	17
158 400 107	9	158 400 169	10	158 400 231	11	158 400 295	17
158 400 108	9	158 400 170	10	158 400 232	11	158 400 296	17
158 400 109	9	158 400 171	10	158 400 233	11	158 400 297	17
158 400 110	9	158 400 172	10	158 400 234	11	158 400 300	18
158 400 111	9	158 400 173	10	158 400 235	11	158 400 301	17
158 400 112	9	158 400 174	10	158 400 236	11	158 400 302	17
158 400 113	9	158 400 175	10	158 400 237	11	158 400 303	17

Index

Code	Page	Code	Page	Code	Page
158 400 304	18	727 627 042	27	727 627 138	28
158 400 305	18	727 627 043	27	727 627 145	28
158 400 306	18	727 627 044	27	727 627 146	28
158 400 307	18	727 627 051	27	727 627 147	28
158 400 308	18	727 627 052	27	727 627 148	28
158 400 309	18	727 627 053	27	727 627 156	28
158 400 310	18	727 627 054	27	727 627 157	28
158 400 311	18	727 627 055	27	727 627 158	28
158 400 312	18	727 627 061	27	727 627 166	28
158 400 313	18	727 627 062	27	727 627 167	28
158 400 314	18	727 627 063	27	727 627 168	28
158 400 315	18	727 627 064	27	727 627 176	28
158 400 316	18	727 627 065	27	727 627 177	28
158 400 317	18	727 627 066	27	727 627 178	28
158 400 318	18	727 627 071	27		
158 400 319	18	727 627 072	27		
158 400 320	18	727 627 073	27		
158 400 321	18	727 627 074	27		
158 400 322	18	727 627 075	27		
158 400 323	20	727 627 076	27		
158 400 324	20	727 627 082	27		
158 400 325	20	727 627 083	27		
158 400 326	20	727 627 084	27		
158 400 327	20	727 627 085	27		
158 400 328	20	727 627 086	27		
158 400 340	17	727 627 087	27		
158 400 341	17	727 627 091	27		
158 400 342	17	727 627 092	27		
158 400 350	10	727 627 093	27		
158 400 351	8	727 627 094	27		
158 400 352	8	727 627 095	27		
158 400 353	16	727 627 096	27		
158 400 354	11	727 627 097	27		
158 400 355	8	727 627 098	27		
158 400 356	13	727 627 101	27		
158 400 357	13	727 627 102	27		
158 400 359	12	727 627 103	27		
158 400 360	14	727 627 104	27		
158 400 702	25	727 627 105	28		
158 400 705	25	727 627 106	28		
158 400 708	25	727 627 107	28		
158 400 710	25	727 627 108	28		
158 400 711	25	727 627 111	28		
158 400 716	25	727 627 112	28		
158 400 720	25	727 627 113	28		
158 400 723	25	727 627 114	28		
158 400 997	18	727 627 115	28		
158 400 998	18	727 627 116	28		
158 400 999	18	727 627 117	28		
727 627 001	27	727 627 118	28		
727 627 011	27	727 627 123	28		
727 627 012	27	727 627 124	28		
727 627 021	27	727 627 125	28		
727 627 022	27	727 627 126	28		
727 627 023	27	727 627 127	28		
727 627 031	27	727 627 128	28		
727 627 032	27	727 627 135	28		
727 627 033	27	727 627 136	28		
727 627 041	27	727 627 137	28		

General Conditions of Supply

1. General

- 1.1 These general conditions shall apply to all goods supplied by Georg Fischer TPA srl to the Purchaser. They shall also apply to all future business even when no express reference is made to them.
- 1.2 Any deviating or supplementary conditions, especially Purchaser's general conditions of purchase, and verbal agreements shall only be applicable if accepted in writing by Georg Fischer TPA srl.

2. Tenders

Tenders shall only be binding if they contain a specifically stated period for acceptance.

3. Scope of Delivery

- 3.1 Georg Fischer TPA srl's product range is subject to change.
- 3.2 The confirmation of order shall govern the scope and execution of the contract.

4. Data and Documents

- 4.1 Technical documents such as drawings, descriptions, illustrations and data on dimensions, performance and weight as well as the reference to standards are for information purposes only. They are not warranted characteristics and are subject to change.
- 4.2 All technical documents shall remain the exclusive property of Georg Fischer TPA srl and may only be used for the agreed purposes or as Georg Fischer TPA srl may consent.
- 4.3 In the context of the contractual relation with the Purchaser personal data may be processed. The Purchaser agrees to the disclosure of said data to third parties, such as foreign subcontractors and suppliers etc.

5. Local Laws and Regulations

The Purchaser shall bring to the attention of Georg Fischer TPA srl all local laws and regulations at the place of destination which bear connection with the execution of the contract and the adherence to relevant safety regulations and approval procedures.

6. Prices

- 6.1 Unless agreed otherwise, the prices shall be deemed quoted net, ex works, including standard packing. All supplementary costs, such as the cost of carriage, insurance, export and import licences, etc. shall be borne by the Purchaser. The Purchaser shall also bear the costs of all taxes, fees, duties, etc. connected with the contract.
- 6.2 If the costs of packing, carriage, insurance, fees and other supplementary costs are included in the tender price or contract price or are referred to specifically in the tender or confirmation of order, Georg Fischer TPA srl reserve the right to revise their prices accordingly should any change occur in the relevant tariffs.

7. Payment

- 7.1 The Purchaser shall make payment in the manner agreed by the parties to the Georg Fischer works conducting the account without any deductions such as discounts, costs, taxes or dues.
- 7.2 The Purchaser may only withhold or off-set payments due against counter-claims which are either expressly acknowledged by Georg Fischer TPA srl or finally awarded to the Purchaser. In particular, payment shall still be made when unessential items are still outstanding provided, however, that the goods already delivered are not rendered unusable as a result.

8. Retention of Title

- 8.1 The goods shall remain the property of Georg Fischer TPA srl until the Purchaser shall have settled all claims, present and future, which Georg Fischer TPA srl may have against him.
- 8.2 Should the Purchaser sell goods to which title is reserved he shall then be deemed to have tacitly assigned to Georg Fischer TPA srl the proceeds deriving from their sale together with all collateral rights, securities and reservations of title until all claims held by Georg Fischer TPA srl shall have been settled.
- 8.3 To the extent the value of the goods to which title is reserved together with collateral securities should exceed Georg Fischer TPA srl's claims against the Purchaser by more than 20%, Georg Fischer TPA srl shall reassign the above proceeds to Purchaser at his request.
- 8.4 In case of default on the part of the Purchaser, in particular in case of arrears, Georg Fischer shall be entitled to repossession of the goods after having given notice to this effect, and the Purchaser shall be obligated to surrender the goods.

9. Delivery

- 9.1 The term of delivery shall commence as soon as the contract has been entered into, all official formalities such as import and payment permits have been obtained and all essential technical points have been settled. The term of delivery shall be deemed duly observed when, upon its expiry, the goods are ready for despatch.
- 9.2 Delivery is subject to the following conditions, i. e. the term of delivery shall be reasonably extended:
 - a) if Georg Fischer TPA srl are not supplied in time with the information necessary for the execution of the contract or if subsequent changes causing delays are made by the Purchaser.
 - b) if Georg Fischer TPA srl are prevented from performing the contract by force majeure. Force majeure shall equally be deemed to be any unforeseeable event beyond Georg Fischer TPA srl's control which renders Georg Fischer TPA srl's performance commercially unpracticable or impossible, such as delayed or defective supplies from subcontractors, labour disputes, governmental orders or regulations, shortages in materials or energy, serious disturbances in Georg Fischer TPA srl's works, such as the total or partial destruction of plant and equipment or the breakdown of essential facilities, serious disruptions in transport facilities, e.g. impassable roads. Should the effect of force majeure exceed a period of six months, either party may cancel the contract forthwith. Georg Fischer TPA srl shall not be liable for any damage or loss of any kind whatsoever resulting therefrom, any suspension or cancellation being without prejudice to Georg Fischer TPA srl's right to recover all sums due in respect of consignments delivered and costs incurred to date.
 - c) if the Purchaser fails to fulfil or delays in fulfilling his obligations under the contract, in particular if he does not adhere to the agreed conditions of payment.
- 9.3 If for reasons attributable to Georg Fischer TPA srl a reasonable term of delivery is exceeded, Georg Fischer TPA srl shall not be deemed in default until the Purchaser has granted to Georg Fischer TPA srl in writing a reasonable extension thereof of not less than one month which equally is not met. The Purchaser shall then be entitled to cancel the contract.

- 9.4 If the Purchaser fails to take delivery within a reasonable time of goods notified as ready for despatch, Georg Fischer TPA srl shall be entitled to store the goods at the Purchaser's expense and risk and to invoice them as delivered.
 - 9.5 Partial shipments shall be allowed and Georg Fischer TPA srl shall be entitled to invoice for such deliveries.
 - 9.6 If Georg Fischer TPA srl do not insist on the performance of a contract cancelled by the Purchaser, a penalty of 10% of the contract price shall become due unless Georg Fischer TPA srl can prove greater damages.
- ## 10. Packing
- If the goods are provided with additional packing over and above the standard packing, such packing shall be invoiced separately and be non-returnable.
- ## 11. Passing of Risk
- 11.1 The risk in the goods shall pass to the Purchaser as soon as they have left Georg Fischer TPA srl's works, even if delivery is made carriage-paid, under similar clauses or including installation or when carriage is organized and managed by Georg Fischer TPA srl.
 - 11.2 If delivery is delayed for reasons beyond Georg Fischer TPA srl's control, the risk shall pass to the Purchaser when he is notified that the goods are ready for despatch.
- ## 12. Carriage and Insurance
- 12.1 Unless agreed otherwise, the Purchaser shall bear the cost of carriage.
 - 12.2 The Purchaser shall be responsible for insurance against damage of whatever kind. Even when such insurance is arranged by Georg Fischer TPA srl it shall be deemed taken out by the order of and for the account of the Purchaser and at his risk.
 - 12.3 Special requests regarding carriage and insurance shall be communicated to Georg Fischer TPA srl in due time. Otherwise carriage shall be arranged by Georg Fischer TPA srl at their discretion, but without responsibility, by the quickest and cheapest method possible.
In case of carriage-paid delivery transport arrangements shall be made by Georg Fischer TPA srl. If the Purchaser specifies particular requirements, any extra costs involved shall be borne by him.
 - 12.4 In the event of damage or loss of the goods during carriage the Purchaser shall mark the delivery documents accordingly and immediately have the damage ascertained by the carrier.
Not readily ascertainable damages sustained during carriage shall be notified to the carrier within six days after receipt of the goods.
- ## 13. Inspection and Acceptance
- 13.1 The goods will be subject to normal inspection by Georg Fischer TPA srl during manufacture. Additional tests required by the Purchaser shall be agreed upon in writing and shall be charged to the Purchaser.
 - 13.2 It shall be a condition of Georg Fischer TPA srl's obligation under the warranties stated hereinafter that Georg Fischer TPA srl be notified in writing by the Purchaser of any purported defect immediately upon discovery. Notice concerning weight, numbers or apparent defects is to be given latest within 30 days from receipt of the goods, notice of other defects latest within the agreed warranty period.
- ## 14. Warranty
- 14.1 At the written request of the Purchaser, Georg Fischer TPA srl undertake to repair or replace, at their discretion, as quickly as possible and free of charge all goods supplied which demonstrably suffer from faulty design, materials or workmanship or from faulty operation or installation instructions. Replaced parts shall become property of Georg Fischer TPA srl.
 - 14.2 The Purchaser shall be entitled to cancel the contract or to demand a reduction in the contract price if:
 - repair or replacement is impossible, or
 - Georg Fischer TPA srl are unable or refuse to remedy the defect or replace the defective goods within a reasonable period of time or are unduly delaying such remedy or replacement.
 - 14.3 For goods which are manufactured to specifications, drawings or patterns supplied by the Purchaser, Georg Fischer TPA srl's warranty shall be restricted to proper materials and workmanship.
 - 14.4 This warranty shall not apply to damage resulting from normal wear, improper storage and maintenance, failure to observe the operating instructions, overstressing or overloading, unsuitable operating media, improper repairs or alterations by the Purchaser or third parties, the use of non-genuine parts and other reasons beyond Georg Fischer TPA srl's control.
 - 14.5 For goods or essential components manufactured by a third party and supplied by Georg Fischer TPA srl under this contract, Georg Fischer TPA srl's warranty is limited to the warranty provided by said third party.
 - 14.6 No action or claim may be brought by the Purchaser on account of any alleged breach of warranty or any other obligation of Georg Fischer TPA srl after the expiration of twelve (12) months from receipt of the goods by the end user or at the latest within eighteen (18) months of the goods being despatched by Georg Fischer TPA srl.
- ## 15. Limitation of Liability
- The warranties set forth above are expressly in lieu of any express warranty of any kind and in lieu of any implied warranty, including any warranty of merchantability or fitness for a particular purpose. Georg Fischer TPA srl shall not be liable for any incidental special or consequential damages, such as loss of profits, loss of production, loss of use or loss of contract, arising for any reason, including damages resulting from delayed delivery, defective design, materials or workmanship or from faulty instructions and whether such damages are claimed to arise from breach of contract, in tort, the theory of product liability or otherwise; reservation is solely being made for Georg Fischer TPA srl's statutory liability due to material breach of an essential contractual obligation, express representations, wrongful intent, gross negligence or product liability acts.
- ## 16. Place of Performance and Jurisdiction
- 16.1 Place of performance for the goods shall be the Georg Fischer TPA srl works from which the goods are despatched.
 - 16.2 Any civil action based upon any alleged breach of this contract shall be filed and prosecuted exclusively in the courts having jurisdiction over the Georg Fischer TPA srl works invoicing the goods. Georg Fischer TPA srl however reserves the right to file actions in any court having jurisdiction over controversies arising out of or in connection with the present contract.
 - 16.3 The contract shall be governed by the law applicable at the place of business of the Georg Fischer TPA srl works invoicing the goods in question.

Worldwide at home

Our sales companies and representatives ensure local customer support in more than 100 countries.

www.gfps.com

Argentina / Southern South America

Georg Fischer Central Plastics Sudamérica S.R.L.
Buenos Aires / Argentina
Phone +54 11 4512 02 90
gfccentral.ps.ar@georgfischer.com
www.gfps.com/ar

Australia

George Fischer Pty Ltd
Riverwood NSW 2210
Phone +61 (0) 2 9502 8000
australia.ps@georgfischer.com
www.gfps.com/au

Austria

Georg Fischer Rohrleitungssysteme GmbH
3130 Herzogenburg
Phone +43 (0) 2782 856 43-0
austria.ps@georgfischer.com
www.gfps.com/at

Belgium / Luxembourg

Georg Fischer NV/SA
1600 Sint-Pieters-Leeuw / Belgium
Phone +32 (0) 2 556 40 20
Fax +32 (0) 2 524 34 26
be.ps@georgfischer.com
www.gfps.com/be

Brazil

Georg Fischer Sist. de Tub. Ltda.
04571-020 São Paulo/SP
Phone +55 (0) 11 5525 1311
br.ps@georgfischer.com
www.gfps.com/br

Canada

Georg Fischer Piping Systems Ltd
Mississauga, ON L5T 2B2
Phone +1 (905) 670 8005
Fax +1 (905) 670 8513
ca.ps@georgfischer.com
www.gfps.com/ca

China

Georg Fischer Piping Systems Ltd
Shanghai 201319
Phone +86 21 3899 3899
china.ps@georgfischer.com
www.gfps.com/cn

Denmark / Iceland

Georg Fischer A/S
2630 Taastrup / Denmark
Phone +45 (0) 70 22 19 75
info.dk.ps@georgfischer.com
www.gfps.com/dk

Finland

Georg Fischer AB
01510 Vantaa
Phone +358 (0) 9 586 58 25
Fax +358 (0) 9 586 58 29
info.fi.ps@georgfischer.com
www.gfps.com/fin

France

Georg Fischer SAS
95932 Roissy Charles de Gaulle Cedex
Phone +33 (0) 1 41 84 68 84
fr.ps@georgfischer.com
www.gfps.com/fr

Germany

Georg Fischer GmbH
73095 Albershausen
Phone +49 (0) 7161 302 0
info.de.ps@georgfischer.com
www.gfps.com/de

India

Georg Fischer Piping Systems Pvt. Ltd
400 083 Mumbai
Phone +91 22 4007 2000
Fax +91 22 4007 2020
branchoffice@georgfischer.com
www.gfps.com/in

Indonesia

PT Georg Fischer Indonesia
Karawang 41371, Jawa Barat
Phone +62 267 432 044
Fax +62 267 431 857
indonesia.ps@georgfischer.com
www.gfps.com/id

Italy

Georg Fischer S.p.A.
20864 Agrate Brianza (MB)
Phone +39 02 921 86 1
Fax +39 02 921 86 24 7
it.ps@georgfischer.com
www.gfps.com/it

Japan

Georg Fischer Ltd
530-0003 Osaka
Phone +81 (0) 6 6341 2451
jp.ps@georgfischer.com
www.gfps.com/jp

Korea

Georg Fischer Korea Co. Ltd
Unit 2501, U-Tower
120 Heungdeok Jungang-ro
(Yeongdeok-dong)
Giheung-gu, Yongin-si, Gyeonggi-do
Phone +82 31 8017 1450
Fax +82 31 217 1454
kor.ps@georgfischer.com
www.gfps.com/kr

Malaysia

Georg Fischer (M) Sdn. Bhd.
41200 Klang, Selangor Darul Ehsan
Phone +60 (0) 3 3122 5585
Fax +60 (0) 3 3122 5575
my.ps@georgfischer.com
www.gfps.com/my

Mexico / Northern Latin America

Georg Fischer S.A. de C.V.
CP 66603 Apodaca, Nuevo León / Mexico
Phone +52 (81) 1340 8586
Fax +52 (81) 1522 8906
mx.ps@georgfischer.com
www.gfps.com/mx

Middle East

Georg Fischer Piping Systems (Switzerland) Ltd
Dubai / United Arab Emirates
Phone +971 4 289 49 60
gcc.ps@georgfischer.com
www.gfps.com/int

Netherlands

Georg Fischer N.V.
8161 PA Epe
Phone +31 (0) 578 678 222
nl.ps@georgfischer.com
www.gfps.com/nl

New Zealand

Georg Fischer Ltd
5018 Upper Hutt
Phone +04 527 9813
Fax +04 527 9834
nz.ps@georgfischer.com
www.gfps.com/nz

Norway

Georg Fischer AS
1351 Rud
Phone +47 67 18 29 00
no.ps@georgfischer.com
www.gfps.com/no

Philippines

George Fischer Pte. Ltd.
Philippines Representative Office
1500 San Juan City
Phone +632 571 2365
Fax +632 571 2368
sgp.ps@georgfischer.com
www.gfps.com/sg

Poland

Georg Fischer Sp. z o.o.
05-090 Sekocin Nowy
Phone +48 (0) 22 31 31 0 50
poland.ps@georgfischer.com
www.gfps.com/pl

Romania

Georg Fischer Piping Systems (Switzerland) Ltd
020257 Bucharest - Sector 2
Phone +40 (0) 21 230 53 80
ro.ps@georgfischer.com
www.gfps.com/int

Russia

Georg Fischer Piping Systems (Switzerland) Ltd
Moscow 125040
Phone +7 495 748 11 44
ru.ps@georgfischer.com
www.gfps.com/ru

Singapore

Georg Fischer Pte Ltd
528 872 Singapore
Phone +65 6747 0611
Fax +65 6747 0577
sgp.ps@georgfischer.com
www.gfps.com/sg

Spain / Portugal

Georg Fischer S.A.
28046 Madrid / Spain
Phone +34 (0) 91 781 98 90
es.ps@georgfischer.com
www.gfps.com/es

Sweden

Georg Fischer AB
117 43 Stockholm
Phone +46 (0) 8 506 775 00
info.se.ps@georgfischer.com
www.gfps.com/se

Switzerland

Georg Fischer Rohrleitungssysteme (Schweiz) AG
8201 Schaffhausen
Phone +41 (0) 52 631 3026
ch.ps@georgfischer.com
www.gfps.com/ch

Taiwan

Georg Fischer Co. Ltd
San Chung Dist., New Taipei City
Phone +886 2 8512 2822
Fax +886 2 8512 2823
www.gfps.com/tw

United Kingdom / Ireland

George Fischer Sales Limited
Coventry, CV2 2ST / United Kingdom
Phone +44 (0) 2476 535 535
uk.ps@georgfischer.com
www.gfps.com/uk

USA / Caribbean

Georg Fischer LLC
92618 Irvine, CA / USA
Phone +1 714 731 8800
Fax +1 714 731 6201
us.ps@georgfischer.com
www.gfps.com/us

Vietnam

Georg Fischer Pte Ltd
Representative Office
Ho Chi Minh City
Phone +84 28 3948 4000
Fax +84 28 3948 4010
sgp.ps@georgfischer.com
www.gfps.com/vn

International

Georg Fischer Piping Systems (Switzerland) Ltd
8201 Schaffhausen / Switzerland
Phone +41 (0) 52 631 3003
Fax +41 (0) 52 631 2893
info.export@georgfischer.com
www.gfps.com/int

The information and technical data (altogether "Data") herein are not binding, unless explicitly confirmed in writing. The Data neither constitutes any expressed, implied or warranted characteristics, nor guaranteed properties or a guaranteed durability. All Data is subject to modification. The General Terms and Conditions of Sale of Georg Fischer Piping Systems apply.