



## HAND WASHING AND DRYING UNITS ALL-IN-ONE

FOR WALL MOUNTING

Hand dryer + Soap dispenser and water tap



Automatic hand dryer: M092AB  
Matte Black Finish



Soap dispenser and water tap: GAJ002AB  
Matte Black Finish

Joint code: UCM092AB

### General description:

- Mediclinics® All-in-One is an integrated handwashing and drying unit, consisting of an automatic hand dryer faucet and a faucet that supplies water and soap, also automatically. It can be mounted on the sink or countertop and is designed to function as an integrated and touchless system, hygienically and highly efficiently.
- Mediclinics® All-in-One has been designed to prevent water splashes on the sink floor, save space, and spend less time in the bathroom.
- Designed with aesthetics and performance in mind, Mediclinics® All-in-One solutions are pure elegance and efficiency. Its sleek design, clean lines, elegant curves, and great functionality break all established schemes in terms of design and functionality.
- Mediclinics® All-in-One solutions are environmentally friendly and save more than 73% in terms of economic savings compared to similar solutions on the market.
- All-in-One is highly hygienic as it incorporates a HEPA filtering medium and optionally can incorporate "Ion Hygienic®" technology that cleans and purifies the air.

### Components and materials:

- **AUTOMATIC HAND DRYER (M092AB):** Based on one of our most successful hand dryers, the Machflow Plus M09A, this countertop-mounted hand dryer is capable of drying hands in just 10 seconds thanks to a pleasant blast of air that can reach speeds of up to 400 km/h. The faucet is made of chrome-plated brass, with a matte black finish.
- **SOAP DISPENSER AND WATER TAP (GAJ002AB):** Made of chrome-plated brass, matte black finish, this faucet dispenses water and soap. The sensor placed just on the upper right side of the faucet is responsible for dispensing the soap, while the sensor placed just above the water outlet is responsible for opening the valve and releasing the water.

## Automatic Hand Dryer (M092AB)

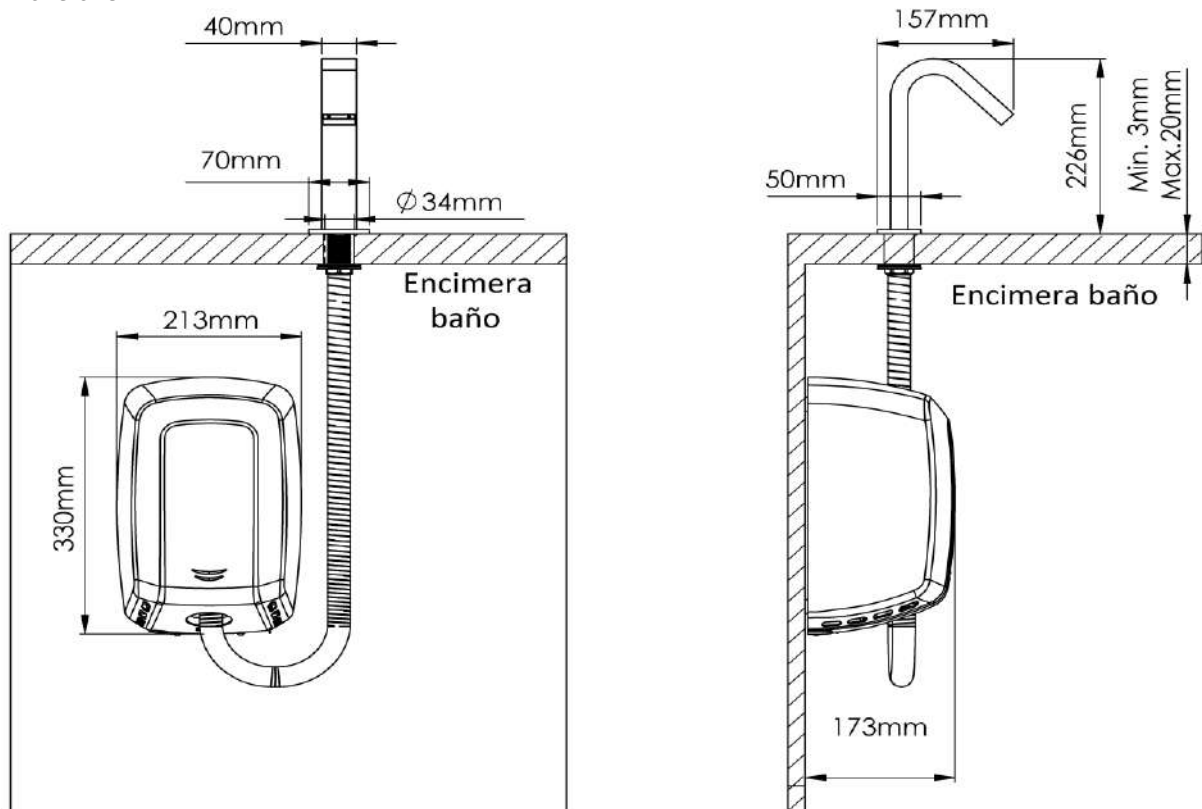
- This hand dryer can operate together with the water and soap faucet GAJ002AB or also alone. It can be mounted on the sink itself or on the countertop, making hand drying easier and quicker for the user.
- Machflow Plus M09A is the heart of Mediclinics' All-In-One solutions. It provides a warm and powerful blast of air that offers a pleasant user experience, with drying times of 10 seconds.
- Being mounted on the same sink ensures that all wastewater goes into the sink and not onto the floor, maintaining a more hygienic and clean bathroom while also avoiding potential slips, a very common cause of accidents.

### Technical specifications

<b>Voltage</b>	220- 240 V
<b>Frequency</b>	50/60 Hz
<b>Insulation</b>	Clase I
<b>Total Power</b>	420 – 1.500 W
<b>Consumption</b>	3.2 – 6.4 A
<b>Standby consumption:</b>	0.3 W
<b>Motor power</b>	420 – 1.100 W
<b>Rpm</b>	19.000 – 30.000
<b>Resistance Power</b>	400 W (interruptor "ON/OFF")
<b>Safety Shutdown</b>	60"
<b>Dimensions</b>	330x213x170 mm

<b>Housing Thickness</b>	1,5 mm
<b>Drying Time</b>	10-15"
<b>Effective Airflow</b>	50-105 m <sup>3</sup> /h (835 -1.755 L/min)
<b>Air Speed</b>	190 – 400 Km/h
<b>Air Temperature (at 10 cm distance/ and 22°C)</b>	42 °C
<b>Sound Pressure (a 2m)</b>	67-72 dBA
<b>IP Rating</b>	IP23
<b>HEPA Filter</b>	Yes (serial)
<b>Plug-in System</b>	Optional
<b>Ionizer</b>	Optional
<b>Deodorant Balls</b>	Optional

### Dimensions



Dimensions: ± 4%

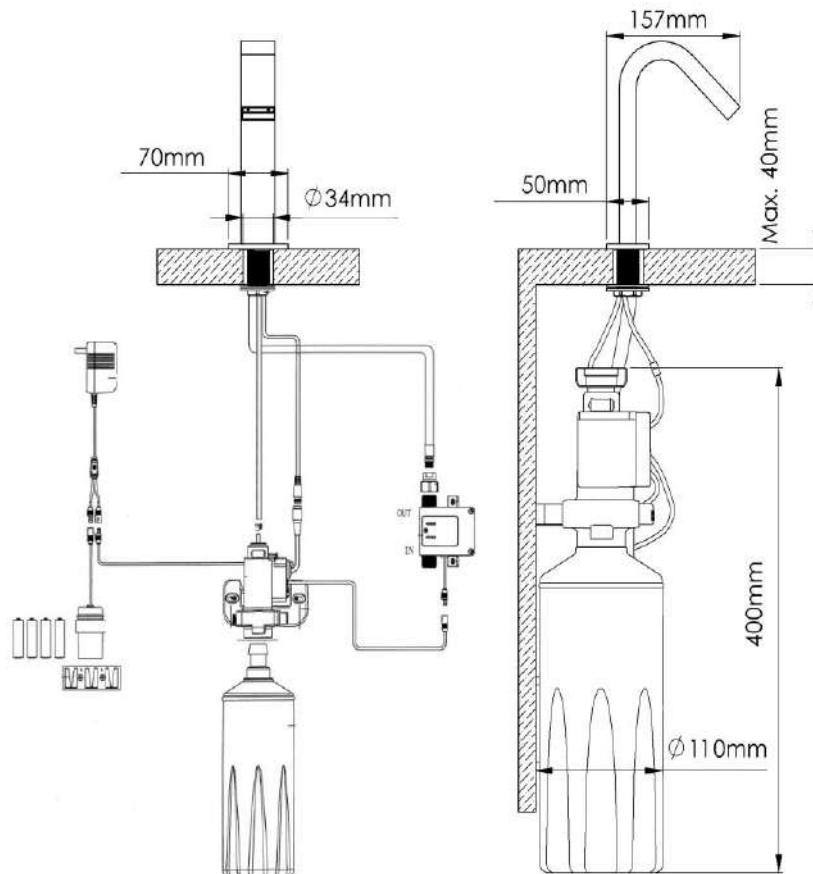
## Soap dispenser and water tap (GAJ002AB)

- This automatic faucet dispenses water and soap and is made of chrome-plated brass, with a glossy finish.
- It can operate both with the automatic hand dryer M092AB and alone.
- Its automatic, touchless operation helps optimize water flow and, therefore, aids in maintaining long-term ecological balance.
- The soap is contained in a 1.5L capacity plastic bottle, easy to remove for refilling, and is dispensed through a high-resistance anti-drip valve.
- The soap dosage can be adjustable between 0.5 mm and 2 ml, in doses of 0.5, 1.0, 1.5, or 2.0 ml.
- The faucet can operate with a 220-240 V (AC) power adapter or with 4 AA 1.5 V (DC) batteries.

### Technical specifications

Soap dispenser		Water Tap	
<b>Voltage</b>	220-240V – 50/60Hz		
<b>Battery life</b>	35.000 – 40.000 hand drying cycles (water + soap)		
<b>Detection Range</b>	5-25 cm	<b>Detection range</b>	5-25 cm
<b>Safety shutdown</b>	---	<b>Safety Shutdown</b>	60"
<b>Soap viscosity</b>	100 – 3.500 cps	<b>Water Pressure</b>	0,5 – 8 bares
<b>Soap dosage</b>	0,5, 1,0, 1,5 o 2,0 ml	<b>Water flow (a 3bar)</b>	5,0 L/min

### Dimensions



Dimensions: ± 4%

---

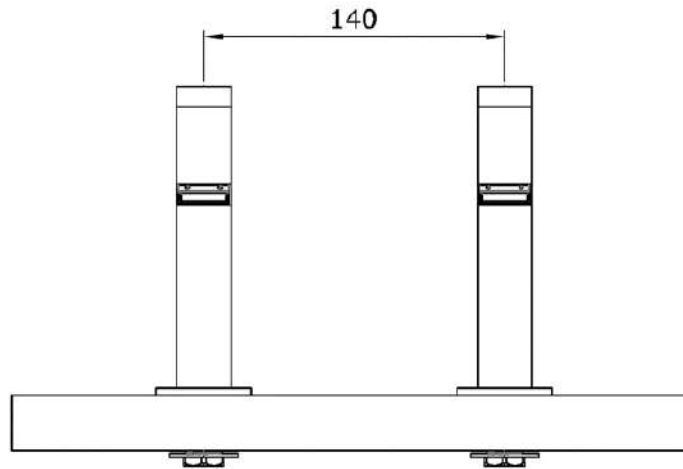
**OPERATION**

---

**RECOMMENDED INSTALLATION HEIGHTS**

---

You should use a sink that allows for the installation of the All-in-One as indicated in the following figure:



The sink must have a depth of at least 120mm, with vertical walls and edges not excessively rounded to avoid splashes.

---

**CERTIFICATES AND HOMOLOGATIONS**

---



Electromagnetic  
Compatibility  
Regular Production  
Surveillance



(\*) The certifications CB Scheme, GS and EMC are only valid for hand dryers.

Mediclinics, S.A., have the rights to make changes and modifications in the products and the specifications without previous notice.  
© mediclinics S.A.

Revision 03-24

