

530 x 936 x 135 mm

vertical version

- Nappy changer in robust, germ-reducing and easy-care stainless steel (AISI 304).
- All-stainless steel housing; all corners fully welded, visible surfaces satin finished and brushed, handle strip with glossy surface IIID. Further available surfaces: see below.
- Easy to open and close with maintenance free lifting mechanism supported by gas struts.
- Table surface in grey polypropylene, molded, without any visible fixtures.
- TÜV-tested and certified according to  
DIN EN 1221-1: 2013  
DIN EN 1221-2: 2013  
AfPS GS 2014: 01 PAK  
Load capacity 15 kg, test load 150 kg;  
approved for public and private use.
- Wear parts can be replaced as modules.
- Installation dimensions: 532 x 938 x 110 mm
- Mounting: With four screws in wall opening through fixing holes in the side walls.
- Delivery includes fixing material.
- Weight, including single package: 26.7 kg

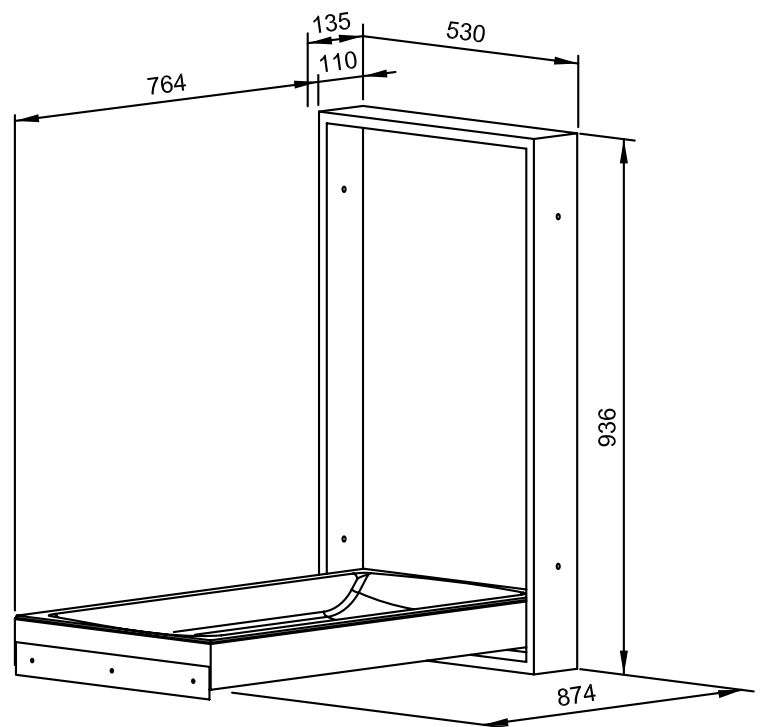


### Suggested text for specifications:

Nappy changer in stainless steel (AISI 304) for flush mounting. All-stainless steel housing; all corners fully welded, visible surfaces satin finished and brushed, handle strip with glossy surface IIID. Table surface molded in polypropylene to fold out with lifting mechanism supported by gas struts. TÜV-tested and certified. Approved for public and private use. Delivery includes fixing material.

Dimensions: 530 x 936 x 135 mm

Article No. WP2110



Available surfaces	ID No.
satin finished (standard)	727 686
(coloured) plastic powder-coating	728 686