

PAPER TOWEL DISPENSER FOR MOUNTING BEHIND FIXED MIRROR WP176



298 x 360 x 120 mm

approx. 500 paper towels

- Paper towel dispenser in robust, germ-reducing and easy-care stainless steel (AISI 304).
- For mounting behind fixed mirror on site.
- All-stainless steel housing; all corners fully welded, visible surfaces satin finished and brushed.
- With deep-drawn paper removal opening for easy paper removal.
- Designed for approx. 500 standard paper towels in zigzag fold.
Paper size (folded): 240-250 mm x 100-115 mm.
Accessible for refilling through spring-clip flap from below.
- Mounting: With four screws.
Depth of substructure installation: min. 120 mm.
Height above vanity unit: min. 160 mm.
- Delivery includes fixing material, self-adhesive information label „Paper“ and one pack of paper towels.
- Weight, including single package: 4.4 kg

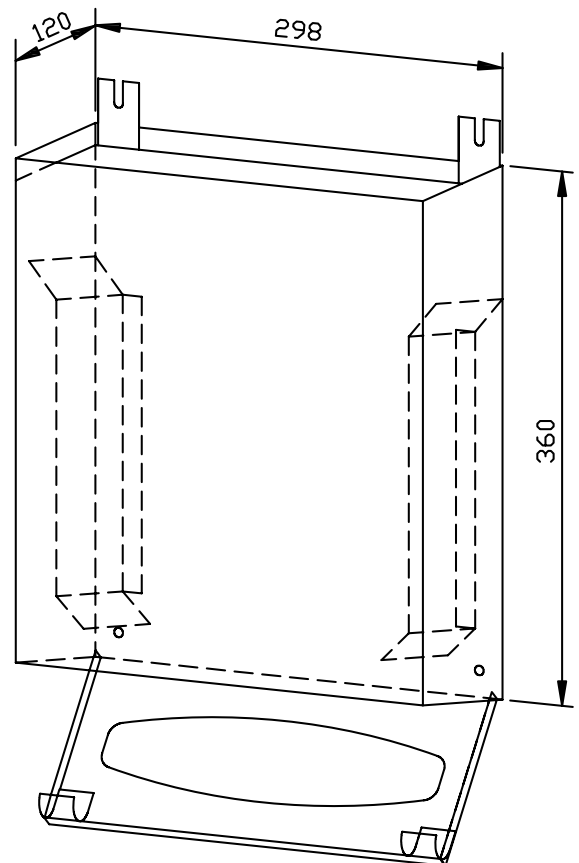


Suggested text for specifications:

Paper towel dispenser in stainless steel (AISI 304) for mounting behind fixed mirror. All-stainless steel housing; all corners fully welded, visible surfaces satin finished and brushed. With deep-drawn paper removal opening, filling quantity approx. 500 paper towels. Accessible for refilling through spring-clip flap from below. Delivery includes fixing material, self-adhesive information label „Paper“ and one pack of paper towels.

Dimensions: 298 x 360 x 120 mm

Article No. WP176



Available surface

satin finished

ID No.

727 060

Ernst Wagner GmbH & Co. KG

Ernst-Abbe-Straße 21 · D-72770 Reutlingen · Tel.: +49712151539-0 · Fax: -20
info@wagner-ewar.de · www.wagner-ewar.de

WAGNER
EWAR