

298 x 598 x 190 mm
Capacity approx. 34 l

- Waste bin in robust, germ-reducing and easy-care stainless steel (AISI 304).
- All-stainless steel housing; visible surfaces satin finished and brushed. Further available surfaces: see below.
- Equipped with removable fabric stand bag in polypropylene, washable. Capacity approx. 34 l.
- Fabric stand bag replaces garbage bag.
- Mounting: With three screws through key holes and one optional anti-theft hole in the back wall.
- Delivery includes fixing material.
- Weight, including single package: 5.6 kg

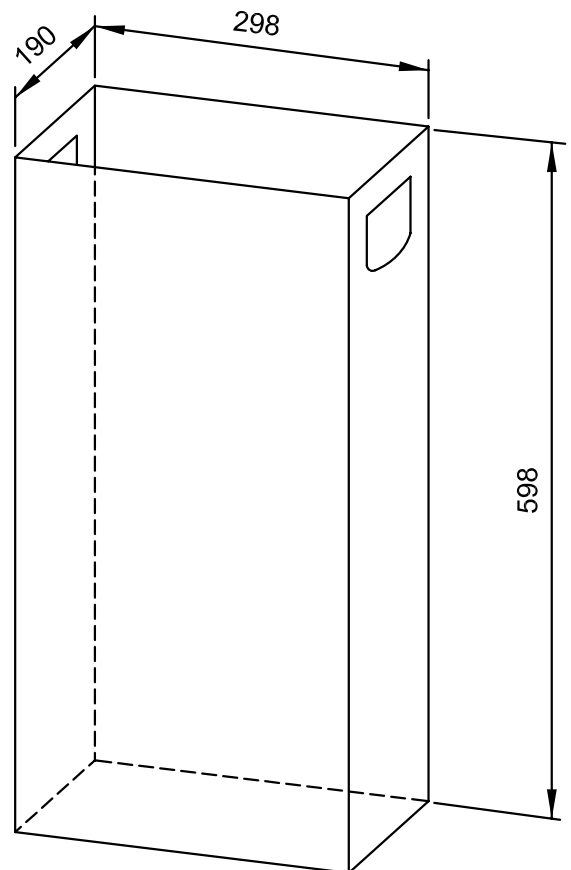


Suggested text for specifications:

Waste bin in stainless steel (AISI 304) for surface mounting. All-stainless steel housing; visible surfaces satin finished and brushed. Equipped with removable fabric stand bag in polypropylene, washable. Capacity approx. 34 l. Delivery includes fixing material.

Dimensions: 298 x 598 x 190 mm

Article No. WP152



Available surfaces	ID No.
satin finished (standard)	727 195
highly polished	731 195
(coloured) plastic powder-coating	728 195