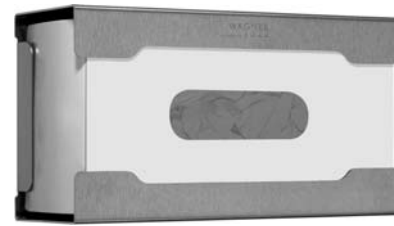


GLOVE DISPENSER WP123



250 x 138 x 88 mm
for 1 box disposable gloves

- Glove dispenser in robust, germ-reducing and easy-care stainless steel (AISI 304).
- Half-open stainless steel housing; visible surfaces satin finished and brushed.
- Designed for one box of standard disposable gloves with dimensions of
Width x Height x Depth:
min. 120 x 115 x 52 mm and
max. 250 x 133 x 82 mm.
- Accessible for refilling through lateral opening.
- Mounting horizontally or vertically with two screws through key holes and one optional anti-theft hole in the back wall.
- Delivery includes fixing material.
- Weight, including single package: 1.1 kg
- Other dimensions available upon request.

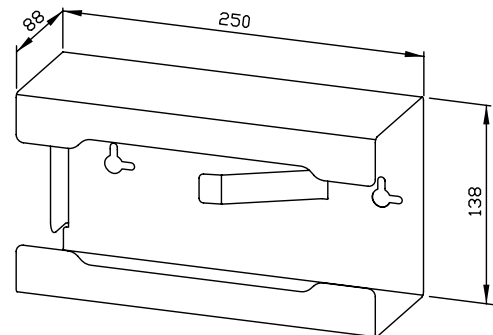


Suggested text for specifications:

Glove dispenser in stainless steel (AISI 304) for surface mounting. Half-open stainless steel housing; visible surfaces satin finished and brushed. Designed for one box of standard disposable gloves. Accessible for refilling through lateral opening. Delivery includes fixing material.

Dimensions: 250 x 138 x 88 mm

Article No. WP123



Available surfaces	ID No.
satin finished (standard)	727 545
highly polished	731 545
(coloured) plastic powder-coating	728 545

Ernst Wagner GmbH & Co. KG

Ernst-Abbe-Straße 21 · D-72770 Reutlingen · Tel.: +49712151539-0 · Fax: -20
info@wagner-ewar.de · www.wagner-ewar.de

WAGNER
EWAR