

TISSUE DISPENSER WP118



269 x 122,5 x 76 mm
for one Kleenex® tissue box

- Tissue dispenser in robust, germ-reducing and easy-care stainless steel (AISI 304).
- All-stainless steel housing; visible surfaces satin finished and brushed.
Further available surfaces: see below.
- Designed for one standard Kleenex® tissue box with dimensions of approx. 240 mm x 115 x 70 mm.
- Accessible for refilling through lockable, hinged housing.
- Keyed alike cylinder lock in corrosion-resistant zinc die-casting.
- Wear parts can be replaced as modules.
- Mounting: With two screws through key holes and one optional anti-theft hole in the back wall.
- Delivery includes fixing material and one pack of paper towels.
- Weight, including single package: 1.5 kg

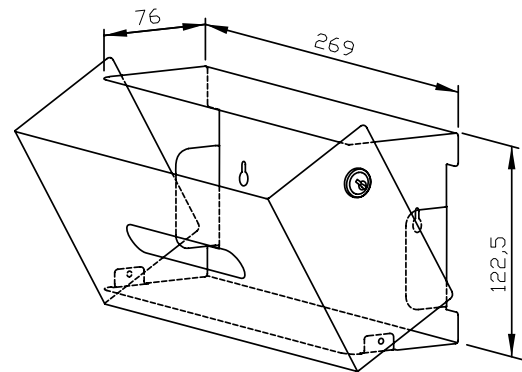


Suggested text for specifications:

Tissue dispenser in stainless steel (AISI 304) for surface mounting. All-stainless steel housing; visible surfaces satin finished and brushed. Designed for one standard Kleenex® tissue box. Accessible for refilling through lockable, hinged housing. Keyed alike cylinder lock in corrosion-resistant zinc die-casting. Delivery includes fixing material.

Dimensions: 269 x 122,5 x 76 mm

Article No. WP118



Available surfaces	ID No.
satin finished (standard)	727 520
highly polished	731 520
(coloured) plastic powder-coating	728 520

Ernst Wagner GmbH & Co. KG

Ernst-Abbe-Straße 21 · D-72770 Reutlingen · Tel.: +49712151539-0 · Fax: -20
info@wagner-ewar.de · www.wagner-ewar.de

WAGNER
EWAR