

CORNER SHOWER CURTAIN RAIL BF680



900 x 900-1500 x 1500 mm

- Corner shower curtain rail in robust, germ-reducing and easy-care stainless steel (AISI 304), satin finished. With ceiling suspension rod (please specify height when ordering), height adjustable ± 50 mm.
- Outer diameter of tubes 32 mm, bend radii 75 mm.
- Wall mountings with 8-point mounting plate – can be freely rotated, 4 mm thick with 2K-wall sealing-disc.
- Supports weight up to 20 kg.
- Concealed fixings 75 mm in diameter, anti-theft, with silicone sealing ring at tube joint.
- CE-marked in accordance with 93/42 EEC.
- Mounting: With nine screws.
- Delivery includes fixing material.
- Intermediate sizes available upon request.



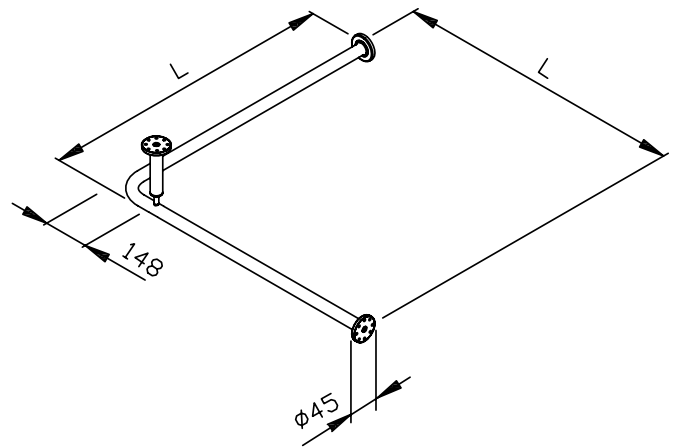
Suggested text for specifications:

Corner shower curtain rail in stainless steel (AISI 304), outer diameter of tubes 32 mm, surface satin finished. With ceiling suspension rod, height adjustable ± 50 mm. Wall mountings with 8-point mounting plate – can be freely rotated, 4 mm thick with 2K-wall sealing-disc; supports weight up to 20 kg. Concealed fixings 75 mm in diameter, anti-theft, with silicone sealing ring at tube joint. CE-marked in accordance with 93/42 EEC. Delivery includes fixing material.

Length x mm

Height ceiling suspension mm

Article No. BF680



Options	ID No.
Shower curtain rings (10 pcs.) BA044	600 044

Available surfaces	Length / ID No.					
	900 x 900 mm	1000 x 1000 mm	1200 x 1200 mm	1500 x 1500 mm	1000 x 1200 mm	1000 x 1500 mm
satin finished	680 100	680 200	680 300	680 400	680 500	680 600

Ernst Wagner GmbH & Co. KG

Ernst-Abbe-Straße 21 · D-72770 Reutlingen · Tel.: +49712151539-0 · Fax: -20
info@wagner-ewar.de · www.wagner-ewar.de

WAGNER
EWAR