

# WALL-TO-FLOOR SUPPORT RAIL BF660



850 x 850-900 x 900 mm

- Wall-to-floor support rail in robust, germ-reducing and easy-care stainless steel (AISI 304), satin finished. Further available surfaces: see below.
- Outer diameter of tubes 32 mm for ergonomic hold, bend radii 75 mm.
- Wall/floor-mountings with 8-point mounting plate – can be freely rotated, 4 mm thick with 2K-wall sealing-disc.
- Supports weight up to 125 kg.
- Concealed fixings 75 mm in diameter, anti-theft, with silicone sealing ring at tube joint.
- TÜV-certified in accordance with DIN EN 12182, CE-marked in accordance with 93/42 EEC.
- Mounting: With nine screws.
- Delivery includes fixing material.
- Intermediate sizes available upon request.

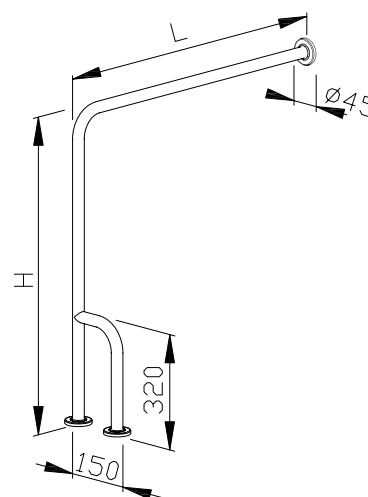


## Suggested text for specifications:

Wall-to-floor support rail in stainless steel (AISI 304), outer diameter of tubes 32 mm, surface satin finished. Wall/floor-mountings with 8-point mounting plate – can be freely rotated, 4 mm thick with 2K-wall sealing-disc; supports weight up to 125 kg. Concealed fixings 75 mm in diameter, anti-theft, with silicone sealing ring at tube joint. TÜV-certified in accordance with DIN EN 12182, CE-marked in accordance with 93/42 EEC. Delivery includes fixing material.

Length ..... x Height ..... mm

Article No. BF660



Options	ID No.
Toilet roll holder BA010	600 010
Toilet flush and call device BA020	600 020
Toilet flush device BA063	600 063

Available surfaces	Length x Height / ID No.			
	850 mm right	900 mm right	850 mm left	900 mm left
satin finished (standard)	660 100	660 101	660 200	660 201
textured	660 110	660 111	660 210	660 211

## Ernst Wagner GmbH & Co. KG

Ernst-Abbe-Straße 21 · D-72770 Reutlingen · Tel.: +49712151539-0 · Fax: -20  
info@wagner-ewar.de · www.wagner-ewar.de

WAGNER  
EWAR