

REMOVABLE FOLD SEAT BA200



430 x 470 x 580 mm

- Removable fold seat in chrome-plated brass for hooking onto existing shower grab rail, angled rail with shower rail and shower grab rail for tube diameter 32 mm, clearance from wall 106 mm.
- Folding seat surface with water drain and backrest in black polyurethane.
- TÜV/GS-tested and certified by TÜV Rheinland. Supports weight up to 130 kg.
- Mounting: By hooking onto existing handle.
- Weight, including single package: 12.3 kg

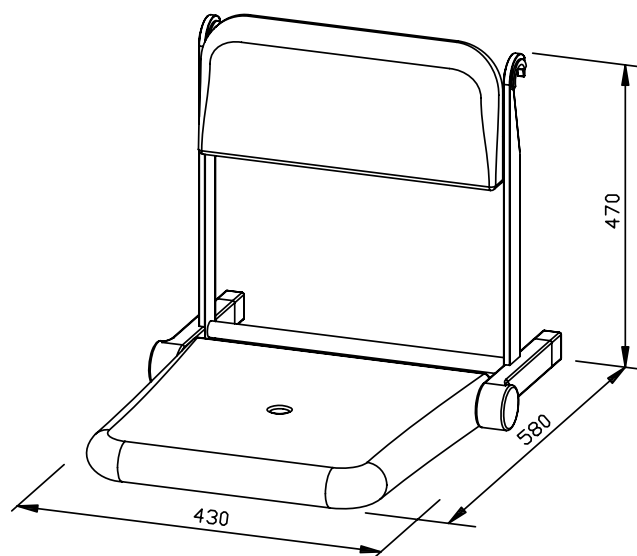


Suggested text for specifications:

Removable fold seat in chrome-plated brass for hooking onto existing shower grab rail, angled rail with shower rail or shower grab rail, for tube diameter 32 mm, clearance from wall 106 mm. Seating surface with water drain and backrest in black polyurethane. TÜV/GS-tested and certified by TÜV Rheinland, supports weight up to 130 kg. Delivery includes fixing material.

Dimensions: 430 x 470 x 580 mm

Article No. BA200



Available surface	ID No.
chrome-plated	600 200

Ernst Wagner GmbH & Co. KG

Ernst-Abbe-Straße 21 · D-72770 Reutlingen · Tel.: +49712151539-0 · Fax: -20
info@wagner-ewar.de · www.wagner-ewar.de

WAGNER
EWAR