

TOILET ROLL HOLDER BA010



140 x 60 x 12 mm

- Toilet roll holder in 12 mm thick solid rod in stainless steel (AISI 304), satin finished.
- Permanently welded to (hinged-), (wall-to-floor-) support rail.
- Designed for one standard toilet roll with dimensions:
Outer diameter max. 125 mm
Width max. 100 mm
Core diameter min. 38 mm
- Internal unrolling control mechanism in black TPE.
- Mounting: Fully assembled.

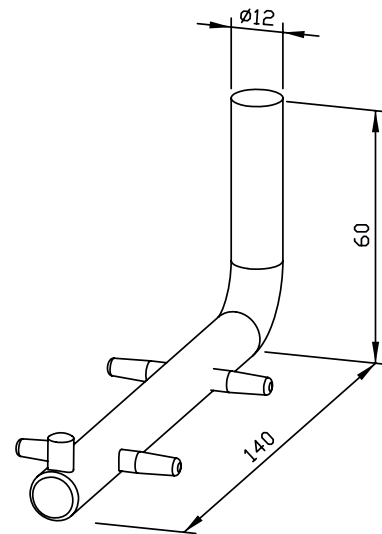


Suggested text for specifications:

Toilet roll holder in 12 mm thick solid rod in stainless steel (AISI 304), satin finished. Permanently welded to (hinged-), (wall-to-floor-) support rail. With internal unrolling control mechanism in black TPE.

Dimensions: 140 x 60 x 12 mm

Article No. BA010



Available surface	ID No.
satin finished	600 010

Ernst Wagner GmbH & Co. KG

Ernst-Abbe-Straße 21 · D-72770 Reutlingen · Tel.: +49712151539-0 · Fax: -20
info@wagner-ewar.de · www.wagner-ewar.de

WAGNER
EWAR