

## AURA SERIES

## Double robe hook



**AI2318B**  
Black finish



**AI2318C**  
Bright finish



**AI2318CS**  
Satin finish

### General Description

- Double-ended bathroom robe hook, made of AISI 304 stainless steel, from Mediclinics' Aura series.
- With a versatile and up-to-date air, these bathroom robe hooks combine aesthetics and functionality, making them ideal to decorate elegant and modern bathroom spaces.
- These wall hangers allow you to optimize and keep the bathroom space tidy, making them one of the most essential bathroom accessories.
- Extremely durable thanks to their high-quality, anti-corrosive and highly resistant stainless steel.
- Ideal for bathrooms with high usage such as those in hotels, airports, restaurants, sports complexes, etc.
- Product suitable for public use.
- They have a hidden wall mounting system.
- Includes stainless steel hardware kit for installing on brick walls.

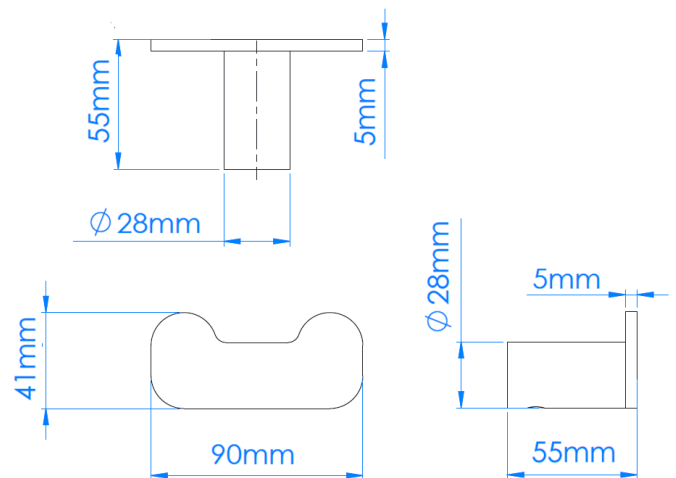
### Components and materials

- **AI2318B:** double robe hook made of AISI 304 stainless steel black finish.
- **AI2318C:** double robe hook made of AISI 304 stainless steel bright finish.
- **AI2318CS:** double robe hook made of AISI 304 stainless steel satin finish.
- **DOUBLE HOOK:** made of 5 mm thick AISI 304 stainless steel plate.
- **WALL BRACKETS:** two units, made with AISI 304 stainless steel cylindrical tube of Ø 28mm and 1.2mm thick. Attached to the bar by means of a threaded stud and nut.
- **WALL ANCHORS:** two units made of AISI 304 stainless steel tube of Ø 22mm and 1.0mm thick. Attached to the wall bracket by means of a screw. It has two oval holes (one vertical and one horizontal) to facilitate wall mounting. They always remain hidden from the user's view.

### Technical Specifications

<b>Dimensions</b>	55 x 55 x 90 mm
<b>Hook thickness</b>	5 mm
<b>Wall bracket diameter</b>	28 mm
<b>Wall bracket thickness</b>	1,2 mm
<b>Net weight</b>	180 g

### Dimensions



Dimensions: ± 4%