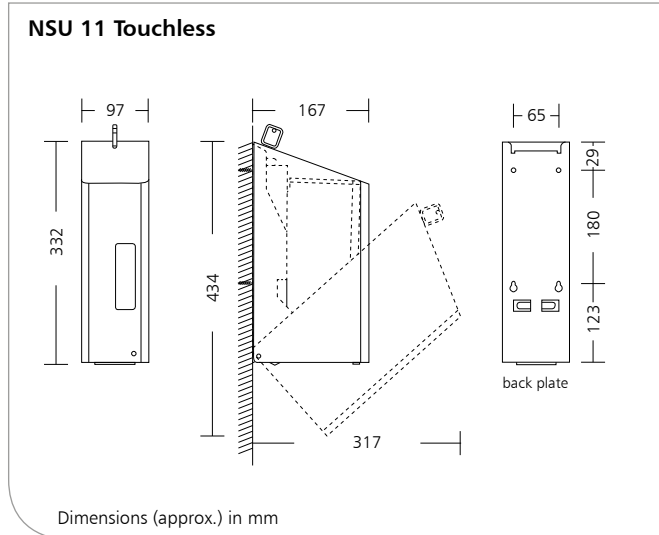


### NSU 11 Touchless

Touchless dispenser for disinfectant (D), foam soaps (F) and liquid soaps (S), stainless steel (AFP) or powder-coated, 1200 ml



#### Product characteristics

- ▶ Touchless dispenser for dosing liquid soaps and disinfectants (S), low-viscosity hand disinfectants with spray pump (D) or foam soap (F)
- ▶ Refillable soap dispenser with 1200 ml volume Plus overflow quantity
- ▶ Housing with sloping lid to prevent foreign objects being placed on the dispenser
- ▶ High-quality and robust stainless steel housing
- ▶ Plastic lock with anti-vandalism function
- ▶ Press-actuation protects the wall attachment
- ▶ Modular system with replaceable container/pump unit, for liquid soaps and disinfectants (S), low-viscosity hand disinfectants with spray pump (D) or foam soap (F)
- ▶ Dispensing quantity ca. 0.7 ml/stroke (D spray pump), ca. 0.7 ml/stroke (F foam pump), ca. 1.5 ml/stroke (S lotion pump)
- ▶ Easily filled from above
- ▶ Open without wall contact
- ▶ Container easily removed for cleaning
- ▶ Viewing window to check fill level
- ▶ Incl. mounting kit for four-point wall mounting

#### Interesting information

- References:
- ▶ Conference centres, exhibitions, airports, train stations, catering, retirement/care homes, hospitals, laboratories, commercial kitchen, food processing, industry, shopping centres, hotels, correctional facilities, schools, kindergartens, sports centres, administration facilities

#### Application examples:

- ▶ Washrooms, toilets, baths, care and examination rooms, kitchens, production facilities, entrance areas, transit areas

#### Technical data

- Housing: Stainless steel AISI 304, brushed with Anti-Fingerprint Coating (AFP) or powder-coated white (RAL 9010)
- Viewing window: Transparent plastic
- Dosing pump: For liquid soaps and disinfectants (S), low-viscosity hand disinfectants with spray pump (D) or foam soap (F), dispensing quantity ca. 0.7 (D) – 0.7 (F) – 1.5 (S) ml/stroke
- Lock: Anti-vandalism lock, plastic
- Wall mounting: Wall mounting with 4 screws and wall plugs recommended installation height 20 cm above the washbasin

#### Description for tender - see overleaf

NSU 11 Touchless/0818/1.2



Subject to technical modifications.  
Tests are required before new filling materials are used!



OPHARDT Hygiene-Technik GmbH + Co. KG  
Lindenau 27 | 47661 Issum | Germany  
Tel.: +49 2835 18-10 | Fax: +49 2835 18-77  
www.ophardt.com | E-Mail: planer@ophardt.com

# NSU 11 Touchless

Touchless dispenser for disinfectant (D), foam soaps (F) and liquid soaps (S), stainless steel (AFP) or powder-coated, 1200 ml

## Description for tender

... Pcs. **SanTRAL® NSU 11 Touchless E/D**  
**Art. No. 1419396**  
Touchless dispenser for disinfectant, 1200 ml, brushed stainless steel housing with Ophardt hygiene Anti-Fingerprint Coating (AFP), stainless steel back plate, incl. 4 alkaline "D" batteries, proximity sensor, special lock with anti-vandalism function, viewing window for monitoring filling level, removable refillable container, free choice of manufacturers for refill materials, housing with sloping lid to prevent foreign objects being placed on the dispenser  
Dimensions (W x H x D) 97 x 332 x 167 mm

... Pcs. **SanTRAL® NSU 11 Touchless P/D**  
**Art. No. 1419393**  
Touchless dispenser for disinfectant, 1200 ml, white (RAL 9010) powder-coated stainless steel housing, stainless steel back plate, incl. 4 alkaline "D" batteries, proximity sensor, special lock with anti-vandalism function, viewing window for monitoring filling level, removable refillable container, free choice of manufacturers for refill materials, housing with sloping lid to prevent foreign objects being placed on the dispenser  
Dimensions (W x H x D) 97 x 332 x 167 mm

... Pcs. **SanTRAL® NSU 11 Touchless E/F**  
**Art. No. 1419397**  
Touchless dispenser for foam soaps, 1200 ml, brushed stainless steel housing with Ophardt hygiene Anti-Fingerprint Coating (AFP), stainless steel back plate, incl. 4 alkaline "D" batteries, proximity sensor, special lock with anti-vandalism function, viewing window for monitoring filling level, removable refillable container, free choice of manufacturers for refill materials, housing with sloping lid to prevent foreign objects being placed on the dispenser  
Dimensions (W x H x D) 97 x 332 x 167 mm

... Pcs. **SanTRAL® NSU 11 Touchless P/F**  
**Art. No. 1419394**  
Touchless dispenser for foam soaps, 1200 ml, white (RAL 9010) powder-coated stainless steel housing, stainless steel back plate, incl. 4 alkaline "D" batteries, proximity sensor, with special lock (anti-vandalism function), viewing window for monitoring filling level, removable refillable container, free choice of manufacturers for refill materials, housing with sloping lid to prevent foreign objects being placed on the dispenser  
Dimensions (W x H x D) 97 x 332 x 167 mm

... Pcs. **SanTRAL® NSU 11 Touchless E/S**  
**Art. No. 1419395**  
Touchless dispenser for disinfectant and liquid soaps, 1200 ml, brushed stainless steel housing with Ophardt hygiene Anti-Fingerprint Coating (AFP), stainless steel back plate, incl. 4 alkaline "D" batteries, proximity sensor, special lock with anti-vandalism function, viewing window for monitoring filling level, removable refillable container, free choice of manufacturers for refill materials, housing with sloping lid to prevent foreign objects being placed on the dispenser  
Dimensions (W x H x D) 97 x 332 x 167 mm

... Pcs. **SanTRAL® NSU 11 Touchless P/S**  
**Art. No. 1419392**  
Touchless dispenser for disinfectant and liquid soaps, 1200 ml, white (RAL 9010) powder-coated stainless steel housing, stainless steel back plate, incl. 4 alkaline "D" batteries, proximity sensor, special lock with anti-vandalism function, viewing window for monitoring filling level, removable refillable container, free choice of manufacturers for refill materials, housing with sloping lid to prevent foreign objects being placed on the dispenser  
Dimensions (W x H x D) 97 x 332 x 167 mm

Product: **SanTRAL®**  
Manufacturer: OPHARDT HYGIENE-TECHNIK GmbH + Co. KG

## Compatible accessories

- ▶ Stainless steel drip tray for mounting with the dispenser (preset distance from the bottom edge)  
Art. No. 1420576  
Dimensions (W x H x D) 95 x 240 x 183.3mm
- ▶ Stainless steel drip tray for mounting under the dispenser (distance from the bottom edge can be freely selected, additional mounting holes)  
Art. No. 1420575  
Dimensions (W x H x D) 95 x 30 x 183.3mm