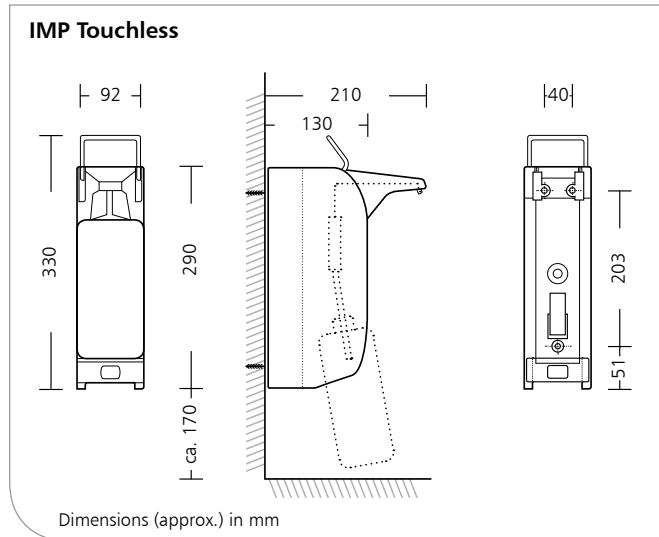


IMP Touchless

Soap-/disinfectant dispenser for disposable bottles as well as refillable containers and hygiene packages, aluminium or stainless steel housing, touchless operation, 500 ml or 1000 ml



Product characteristics

- ▶ Touchless dispenser for alcoholic hand disinfectants, liquid soaps, lotions, etc.
- ▶ For 500 ml or 1000 ml disposable bottles as well as refillable containers and hygiene packages
- ▶ Pivoting face shield for simple pump replacement from the front without having to remove the dispenser from the wall
- ▶ Incl. mounting kit for three-point wall mounting

Interesting information

References:

- ▶ Clinics, doctors' practices, health and care facilities, laboratories, rescue stations, commercial kitchens, foodstuffs industry

Application examples:

- ▶ Particularly well suited to areas where hand hygiene is critical and in medical and food processing areas

Technical data

- Housing: Aluminium, anodised matt silver or brushed stainless steel
- Dosing pump: Stainless steel pump, autoclavable up to 134°C, 2 bar
- Dispensing: Dispensing quantity adjustable to ca. 0.7ml/1.0ml/1.2 ml/1.5 ml (depending on the viscosity of the filling material)
- Emergency bar: Stainless steel
- Wall mounting: Wall mounting with 3 screws and wall plugs
- Batteries: 5 type 'D' single-cell

Description for tender - see overleaf

IMP Touchless/1216/1.0



Subject to technical modifications.
Tests are required before new filling materials are used!



OPHARDT Hygiene-Technik GmbH + Co. KG
Lindenau 27 | 47661 Issum | Germany
Tel.: +49 2835 18-10 | Fax: +49 2835 18-77
www.ophardt.com | E-Mail: planer@ophardt.com

IMP Touchless

Soap-/disinfectant dispenser for disposable bottles as well as refillable containers and hygiene packages, aluminium or stainless steel housing, touchless operation, 500 ml or 1000 ml

Description for tender

... Pcs. **ingo-man® plus IMP T A Touchless**
Art. No. 1415524
Soap-/disinfectant dispenser, 1000 ml, suitable for standard disposable bottles, refillable containers and hygiene packages, matt silver anodised aluminium housing, incl. empty bottle and 5 alkaline "D" batteries, touchless, 2 proximity sensors, triggering of the pump mechanism from above and below the pump outlet, autoclavable and dishwasher-safe, replaceable stainless steel pump, pump can be quickly and simply removed for cleaning through simple front removal - can be put back into service in reverse order with "push and click" system
Dimensions: W 92 x H 330 x D 210 mm

... Pcs. **ingo-man® plus IMP E A Touchless**
Art. No. 1415523
Soap-/disinfectant dispenser, 500 ml, suitable for standard disposable bottles, refillable containers and hygiene packages, matt silver anodised aluminium housing, incl. empty bottle and 5 alkaline "D" batteries, touchless, 2 proximity sensors, triggering of the pump mechanism from above and below the pump outlet, autoclavable and dishwasher-safe, replaceable stainless steel pump, pump can be quickly and simply removed for cleaning through simple front removal - can be put back into service in reverse order with "push and click" system
Dimensions: W 92 x H 330 x D 210 mm

... Pcs. **ingo-man® plus IMP T E Touchless**
Art. No. 1417071
Soap-/disinfectant dispenser, 1000 ml, suitable for standard disposable bottles, refillable containers and hygiene packages, polished stainless steel housing, incl. empty bottle and 5 alkaline "D" batteries, touchless, 2 proximity sensors, triggering of the pump mechanism from above and below the pump outlet, autoclavable and dishwasher-safe, replaceable stainless steel pump, pump can be quickly and simply removed for cleaning through simple front removal - can be put back into service in reverse order with "push and click" system
Dimensions: W 92 x H 330 x D 210 mm

... Pcs. **ingo-man® plus IMP E E Touchless**
Art. No. 1417728
Soap-/disinfectant dispenser, 500 ml, suitable for standard disposable bottles, refillable containers and hygiene packages, polished stainless steel housing, incl. empty bottle and 5 alkaline "D" batteries, touchless, 2 proximity sensors, triggering of the pump mechanism from above and below the pump outlet, autoclavable and dishwasher-safe, replaceable stainless steel pump, pump can be quickly and simply removed for cleaning through simple front removal - can be put back into service in reverse order with "push and click" system
Dimensions: W 92 x H 330 x D 210 mm

Product: **ingo-man® plus**
Manufacturer: OPHARDT HYGIENE-TECHNIK GmbH + Co. KG