

Siljan Duo

5 YEARS
PRESSURE
GUARANTEE

E
ecosafe


cold start


eco flow


soft closing



Siljan Duo

- EcoSafe® mixer
- Cold Start
- Ceramic cartridge with soft closing function
- Adjustable flow control and temperature limiter
- Eco Flow (energy and water saving aerator)
- Swivel spout, limitation part for 60°, 85°, 110° or 360° included
- Flush Timeout - safety shut-off to prevent flooding
- Can be turned off for 5 min. (eg for cleaning)
- Low power consumption - Long life
- IP class sensor, IP67
- Approved non-return valves, EN-Standard EN1717

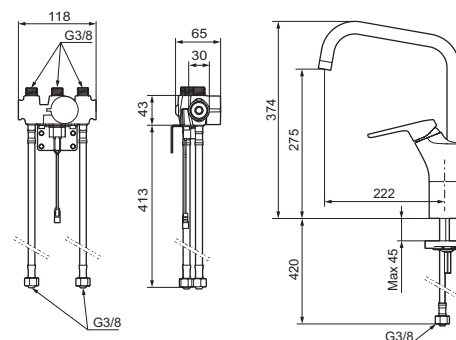
Installation:

- Automatic sensor calibration
- All models can be adapted for either battery 6V or mains operation 12V AC/DC
- Mains operation requires installation of the AC adapter FMM 1623-0000, and power supply FMM 1619-4000 alternatively transformer FMM 1619-3000
- Soft PEX® hoses with 3/8" connecting nut (stainless steel braided)
- Hole diameter Ø34-37 mm

Settings:

- Programmable detection distance
- Adjustable flush time

FM Mattsson Siljan Duo has a traditional lever as well as a touchless sensor function. The mixer is activated by holding a hand in front of the sensor. It will deliver a limited amount of water during a chosen time period - 4, 8 or 12 seconds, but can easily be stopped by holding the hand again in front of the sensor. Simple and hygienic!



| Description | FMM nr | EAN kod |
|-------------|----------|---------------|
| Crome | 83020010 | 7391887248863 |