

Wash trough P121SV

Art. no. P121SV
GTIN 7055570005118

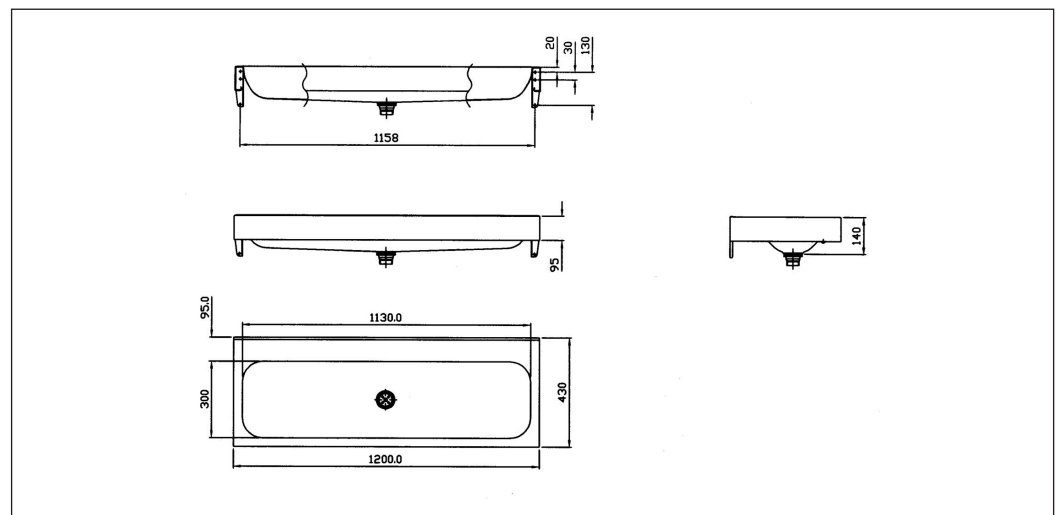


Overall dimension in mm	1200 x 430 x 140
Depth in mm	140
Bowl dim. in mm	1130 x 300 x 140
Waste hole placement	C
Material	AISI 304
Material thickness in mm	0,9
Installation height in mm	850
Product load in N	1000
Gross weight in kg	9.60
Weight, pallet	140.20
Pcs per pallet	12

Description

P121SV is a fully pressed stainless steel washing trough with welded corners. Supplied with wall brackets and 1 1/2" effluent valve with dome grate. Supplied without corner protectors.

Wall panel P12VP is optional.



Installation P121SV

ASSEMBLY:

Included in the box:

- * Washing trough welded at the outer corners in front
- * Consoles x 2
- * Valve with dome grate 1 1/4" and 1 1/2"
- * Assembly template

Optional accessories: Wall panel - P12VP

Ensure that you have all the parts before assembly begins.

Affix the mounting templates to the wall and ensure that they are level in relation to one another and there is the appropriate distance between them. Pre-drill in accordance with the mounting templates. Mount the brackets onto the wall, and affix the washing trough to the brackets.

If optional wall panels have been selected, these must be mounted onto the wall before the washing trough is slid into place against the wall.

Mounting height 900 mm for adults, 700 – 800 mm for children and 500 mm for young children.

SPARE PARTS:

Valve with dome grate 1 1/4" and 1 1/2": 79136
Wall consoles: ZVEGGFEST-P
Assembly instructions: 76145
Assembly kit: 76144

MAINTENANCE:

INTRA PRODUCTS OF STAINLESS STEEL

In order for your Intra stainless steel product AISI304 to retain its original quality and appearance we recommend regular cleaning. Use mild soap or cleaning products specifically designed for stainless steel and clean water. Then wipe the surface with a dry cloth. Never use detergents containing chlorine, iodine, fluoride or abrasives on stainless steel. Also avoid contact with acid solutions and other substances incompatible with stainless steel. Remember that food and skin care products may contain such substances, e.g. ketchup, juice, salt, certain cleansers, nail polish, etc. Promptly remove spills of such products.

Observe the following:

- * Do not allow water or other liquid to dry in. This is to avoid staining the surface.
- * Even though stainless steel can withstand harsh treatment, it can easily be scratched by sharp objects. For products with normal, polished (brushed) finish, this will be very visible when the product is new, but after a period of use, this will be negated as the steel loses its lustre. For products with satin and polished finishes, the scratches will always be visible. Never use scouring powder or steel wool on stainless steel. In addition to scratching the steel, wire wool will leave behind small particles that may develop into rust spots which, over time, may corrode the steel.
- * Stainless steel must not come into contact with, or be in environments containing, chlorine solutions for long periods of time.
- * Silver polish causes stains which cannot be removed.