

Millinox MXT2-100

Art. no. MXT2-100
GTIN 7393069020632



Overall dimension in mm 152 x 134 x 300
Material AISI 304
Material thickness in mm 1,0
Installation height in mm 1000 til topp
Gross weight in kg 2.50
Weight, pallet 240.00
Pcs per pallet 98
Design OddThorsen

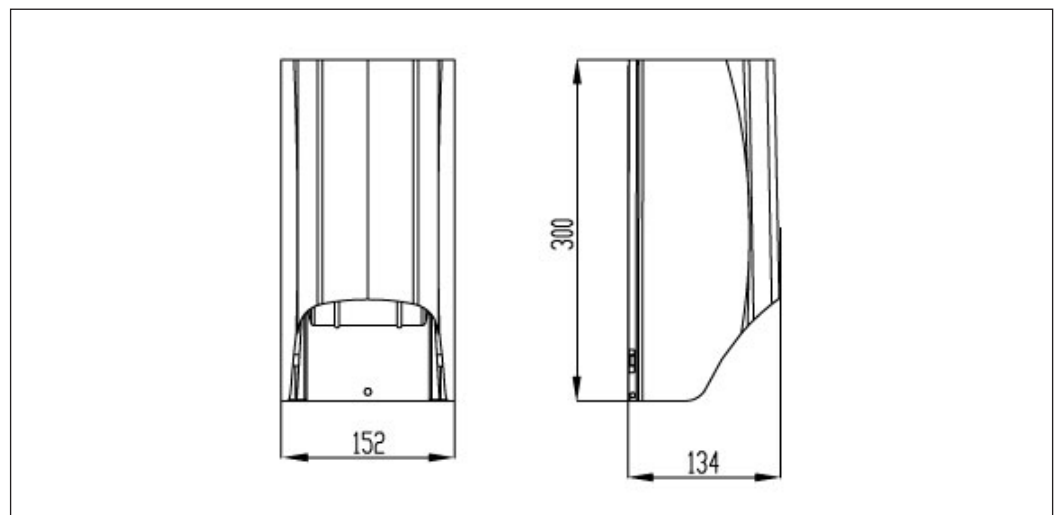
Description

Millinox Toilet roll holder in stainless steel, for wall mounting. For two rolls of max Ø 105mm.

Satin finish

Installation

Fix the product to the wall by using the four screws supplied with the product. Standard procedure is to use the back plate as drill template.



Installation MXT2-100

MOUNTING:

Included in the box:

Toilet roll holder
Cylinders for toilet rolls 2 pcs
O-rings for cylinders 4 pcs
Key
Mounting equipment

Use the backplate of the dispenser as a drilling template for pre-drilling of mounting holes. Assemble the two halves of the cylinders and three the two O-rings on each cylinder. Put toilet roll on the cylinder and make sure they roll correctly in relation to the guide on the dispenser. If the toilet roll rolls slowly on the cylinder, the two O-rings on the cylinder may be removed.

If the toilet roll has a large core diameter, the two O-rings will function as a brake for the paper. If the toilet roll has a small core, the paper may be more easily pulled out if the O-rings are removed.

When the lower toilet roll is empty, it should be pushed slightly up and back in the dispenser. It will then allow the next toilet roll to fall into place ready for use. The empty roll will remain until the cover is opened and the cylinder is pulled out for refill.

Maximum toilet roll size: $\varnothing 105 \times 105$ mm
(Recommendation: SCA /Tork, article number 11 02 84)

SPARE PARTS:

Lock: 91110
Mounting equipment: YMX02
Cylinder with o-ring: 91101 / 82048

MAINTENANCE:

Several of our products are delivered entirely or partly covered with plastic wrapping. This wrapping protects the products during transport. This wrapping must be removed before using the products.

In order for the product to retain its original quality and appearance, regular cleaning is recommended. Use mild soap or products specifically designed for stainless steel and clean water. Then wipe the surface with a dry cloth. Never use detergents containing chlorine, iodine, fluoride or abrasives. Also avoid contact with acidic solutions and other substances incompatible with stainless steel. Remember that food stuffs and skin care products may contain such substances; e.g. ketchup, juice, salt, some cleansers, nail polish, etc. Promptly remove spills of such products.

- * Do not allow water or other liquid to dry in. This is to avoid staining the surface.
- * Even though stainless steel can withstand harsh treatment, it will easily be scratched by sharp objects. For products with polished (brushed) finishes, this will be very visible when the product is new, but after a period of use, this will be negated as the steel loses its lustre. On surfaces with satin and polished finishes, the scratches will always be visible. Never use scouring powder or steel wool on stainless steel. This will scratch the steel and steel wool will leave small particles that can develop into rust spots.
- * Stainless steel must not come into contact with, or be in environments containing, chlorine solutions for long periods of time.
- * Silver polish causes stains which cannot be removed.