

Millinox MXS1M

Art. no. MXS1M
GTIN 7393069020458



Description

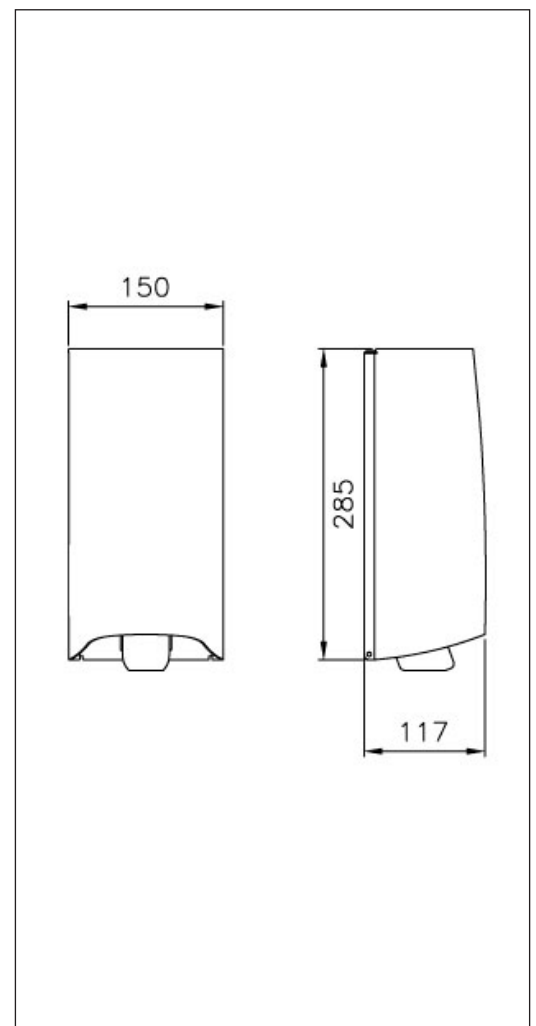
Millinox Soap dispenser in stainless steel, for wall mounting.

The dispenser is supplied with a one litre plastic container for refill. The dispenser dispenses soap with every push.

Also suitable for lotions, shampoos, conditioners etc.

Satin finish.

Overall dimension in mm	150 x 117 x 285
Volume in L	1
Material	AISI 304
Material thickness in mm	1,0
Installation height in mm	1350 til topp
Gross weight in kg	2.00
Net weight in kg	1.29
Weight, pallet	327.00
Pcs per pallet	168
Design	OddThorsen
Made in	Norway



Installation MXS1M

ASSEMBLY

Included in the box:

- * Soap dispenser with pre-mounted pump
- * Assembly equipment
- * Soap container with lid and pump spout
- * Key

Fix the product to the wall by using the four screws supplied with the product. Standard procedure is to use the back plate as drill template.

When filling soap the first time, the small tab on the lid on top of the soap container needs to be pierced / cut away to avoid vacuum in the container as it is emptied. Refill soap by opening the cover on the dispenser and remove the small plastic lid on the top of the soap container. Fill soap and put the lid back on before closing the cover.

SPARE PARTS

Lock for dispenser: 91110
Assembly equipment: YMX02
Soap container and lid: 80012/80012-1
Pump spout: 80022
Pump holder: 80013
Pump: 80009

MAINTENANCE:

INTRA PRODUCTS OF STAINLESS STEEL

Several of our products are delivered entirely or partly covered with plastic wrapping. This wrapping protects the products during transport. This wrapping

must be removed before using the products.

In order for your Intra stainless steel product AISI304 to retain its original quality and appearance we recommend regular cleaning. Use mild soap or cleaning products specifically designed for stainless steel and clean water. Then wipe the surface with a dry cloth.

Never use detergents containing chlorine, iodine, fluoride or abrasives on stainless steel. Also avoid contact with acid solutions and other substances incompatible with stainless steel. Remember that food and skin care products may contain such substances, e.g. ketchup, juice, salt, certain cleansers, nail polish, etc. Promptly remove spills of such products.

Observe the following:

- * Do not allow water or other liquid to dry in. This is to avoid staining the surface.
- * Even though stainless steel can withstand harsh treatment, it can easily be scratched by sharp objects. For products with normal, polished (brushed) finish, this will be very visible when the product is new, but after a period of use, this will be negated as the steel loses its lustre. For products with satin and polished finishes, the scratches will always be visible. Never use scouring powder or steel wool on stainless steel. In addition to scratching the steel, wire wool will leave behind small particles that may develop into rust spots which, over time, may corrode the steel.
- * Stainless steel must not come into contact with, or be in environments containing, chlorine solutions for long periods of time.
- * Silver polish causes stains which cannot be removed.