

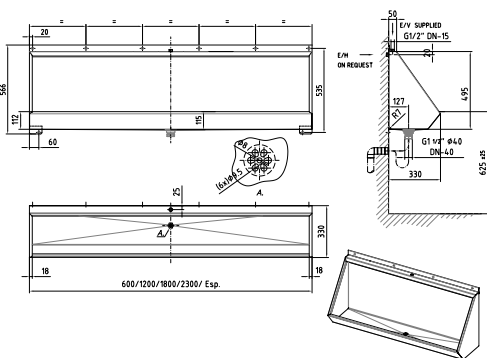
PRODUCT IMAGE AND DRAWING



**URM**  
**WALL MOUNTED TROUGH URINAL**

Wall hung trough urinal made of stainless steel AISI-304 (1.4301), 1.5mm thick. Flushing through perforated stainless steel pipe.  
Inlet: Top inlet (vertical) by 1/2" gas threads (DN-15) flushing connection.  
Trap: Supplied with a flat outlet valve and trap of 1 1/2" (Ø 40 mm.).

Option:  
- Dividers available

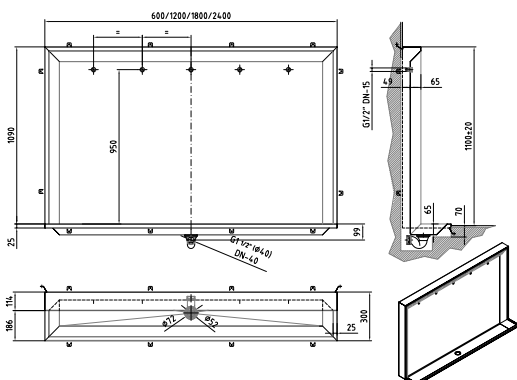


REFERENCE	FEATURES	DIMENSIONS
<b>URM-1200</b>	Suitable for 2 users	1200x330x566 mm
<b>URM-1800</b>	Suitable for 3 users	1800x330x566 mm
<b>URM-2300</b>	Suitable for 4 users	2300x330x566 mm
<b>URM-1200-SEP</b>	Suitable for 2 users	1200x429x911 mm
<b>URM-1800-SEP</b>	Suitable for 3 users	1800x429x911 mm
<b>URM-2300-SEP</b>	Suitable for 4 users	2300x429x911 mm



**URE**  
**RECESSED TROUGH URINAL**

Wall hung trough urinal made of stainless steel AISI-304 (1.4301), 1.5mm thick. Spray nozzles flushing. Inlet: Top inlet (vertical) by 1/2" gas threads (DN-15) flushing connection.  
Trap: Supplied with a flat outlet valve and trap of 1 1/2" (Ø 40 mm.).



REFERENCE	FEATURES	DIMENSIONS
<b>URE-600</b>	Suitable for 1 user	600x300x1155 mm
<b>URE-1200</b>	Suitable for 2 users	1200x300x1155 mm
<b>URE-1800</b>	Suitable for 3 users	1800x300x1155 mm
<b>URE-2400</b>	Suitable for 4 users	2400x300x1155 mm