



**DJ0252AC**  
Bright finish

### General Description

- Automatic countertop-mounted soap dispenser, 1.6 l capacity, manufactured in chromed brass, bright finish.
- Available in bright finish, this automatic countertop-mounted soap dispenser has a functional, robust and trendy design that matches the new range of Mediclinics bathroom accessories. This allows this soap dispenser to blend into any space perfectly.
- Suitable for high traffic facilities and for public use.
- Dispenses liquid soaps with neutral pH, chlorine free and density between 2,000 and 3,500 cP. Surgical soaps and soaps with solid abrasive particles are not supported.

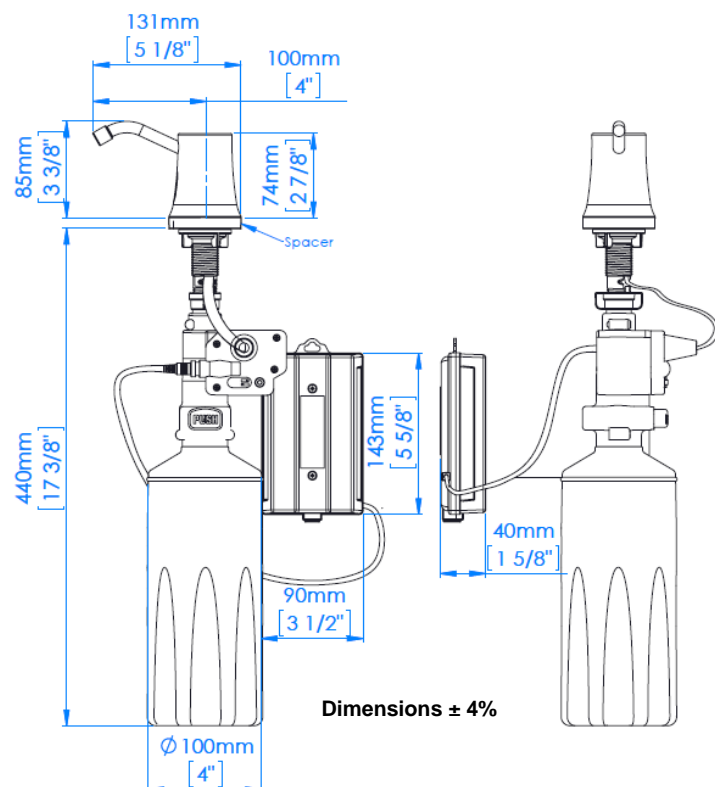
### Technical Specifications

<b>Dimensions (cabezal)</b>	131x74x85 mm
<b>Capacity</b>	1.600 ml
<b>Net weight</b>	950 g
<b>Quantity dispensed per pump</b>	0,8- 2,2 ml
<b>Power</b>	DC 6V
<b>Battery Type</b>	4 x D 1.5V Alkaline
<b>Battery lifetime</b>	50.000 cycles
<b>Operating temperatures</b>	4-50 °C
<b>Operating humidity</b>	20-90%
<b>IP degree</b>	IP43

### Components & materials

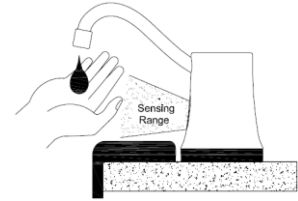
- **DJ0252AC:** chromed brass, bright finish.
- **SPOUT ASSEMBLY:** chromed brass, bright finish, 131x74x85 mm.
- **SOAP TANK:** refillable tank, 1,600 ml capacity and made in Polyethylene (PE).
- **POWE INPUT:** dc 6v, dX4Alkaline battery. Stand-by current less than 100 µA and active current less than 1 A.
- **LED INDICATOR:** red LED ON when sensing an object. Red LED constantly ON means low battery light. Blue LED flashes when soap level is low.
- **INFRARED SENSOR:** self-adjustable sensing distance from 90 to 130 mm. It requires between 0.5 to 1 second to carry out the dispensing operation.
- **SUITABLE SOAPS:** chlorine free liquid soaps with a viscosity between 2,000 and 3,500 mPa.s and a pH as close to 7.0 (pH neutral). Surgical soaps and soaps with solid abrasive particles are not supported.

### Dimensions



## OPERATION

Place your hand under the spout. Soap will be dispensed automatically within 1 second. Keep the hand in this position until the end of the soap dosage



## MOUNTING TEMPLATE

Dispenser can be located on the left or right of the sink

