

SURFACE

Push-button activated



DJ0115C
Bright finish



DJ0115CS
Satin finish

General Description

- Push-button wall-mounted liquid soap dispenser of 1.3 L capacity, manufactured in stainless steel AISI 304, 1.0 mm thick.
- Available in two finishes (bright and satin) these soap dispenser models have a functional, robust and trendy design that matches the new range of Mediclinics bathroom accessories. This allows this soap dispenser to blend into any space perfectly.
- Suitable for high traffic facilities and for public use.
- Dispenses chlorine-free liquid soaps with a neutral pH. Surgical soaps and soaps with solid abrasive particles are not supported.

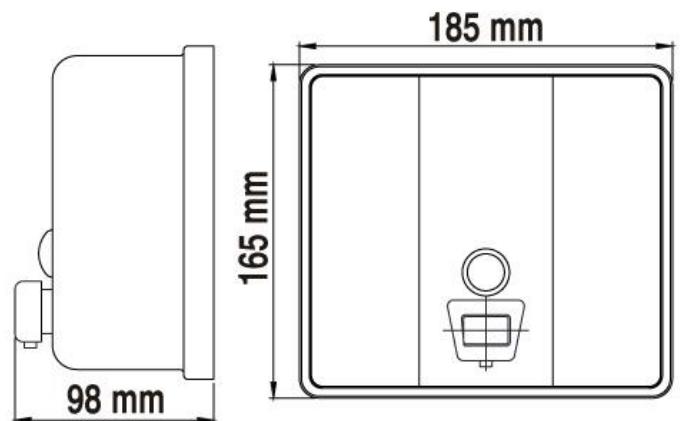
Components & materials

- **DJ0115C:** Stainless steel AISI 304, bright finish.
- **DJ0115CS:** Stainless steel AISI 304, satin finish.
- Body and back plate fully welded to avoid deformation and soap dripping.
- Polyethylene inner tank to prevent oxidation.
- Level display in the front part that constantly indicates the level of soap available inside the soap dispenser.
- Black ABS thermoplastic push-button.
- Opening on top with provided key that allows soap refill.
- It is recommended to use liquid soaps with neutral pH, chlorine free.

Technical Specifications

Dimensions	185x165x95 mm
Body thickness	1 mm
Suitable soaps	Chlorine-free hand soaps with neutral pH
Net weight	0.70 Kg
Quantity dispensed per pump	0.7 ml
Capacity	1.3 ml

Dimensions



Dimensions $\pm 4\%$

OPERATION

Place one hand under the soap dispenser valve and press the push-button until the end of the soap dosage.

MOUNTING TEMPLATE

10-15 cm from countertop