

INDIVIDUAL USE
Automatic


SC0088
White finish

General description

- Exclusive bathroom wall mounting hair dryer with a functional, robust and trendy design that blends into any space perfectly such as hotels, hospitals and elderly care centers.
- This powerful and long-lasting hair dryer is activated automatically when hand piece is removed from the main body and has a total power of 1,100W.
- Multi-functional: the device can be used for drying hands, body and hair.
- Silence and quick-drying. The hair dryer works efficiently thanks to a high speed and a powerful air flow, all of this with a low noise level and saving time and money.
- Three air speed settings simply moving the speed selector.
- It is possible to connect an electric shaver thanks to its 220V and 110V power socket.

Components & materials

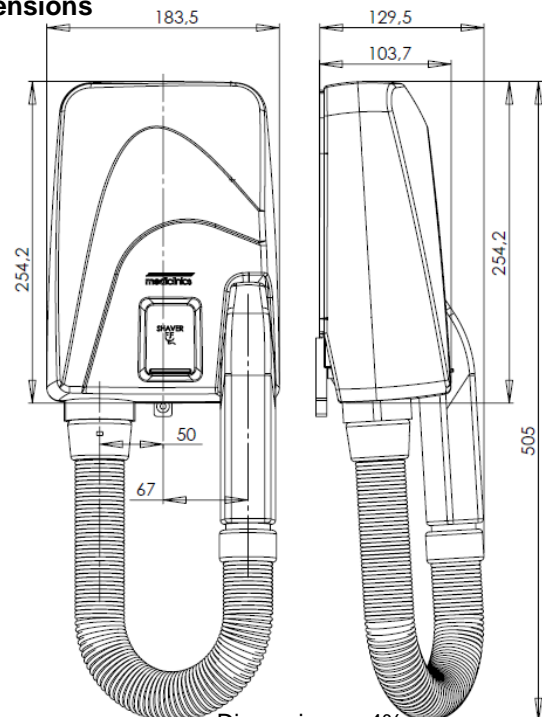
- **SC0088**: self-extinguishing polycarbonate one-piece cover, white finish.
- White self-extinguishing plastic base plate, 3 mm thick, with 2 holes of Ø 6 mm for mounting on the wall.
- 4,000-6,500 rpm brush motor with a thermal overload switch.
- 1,000W heating element that includes a safety thermal cut-out.
- Speed air flow selector with three different settings.
- Thermoplastic axial turbine.
- White ergonomic handset and fitting. No danger in case of the handset falling in the washbasin or bathtub.
- White polyurethane extendible hose.
- Plug with 1,000mm power cord.
- 220V and 110V power socket.

8-OP-DO-FT

Technical Specifications

Voltage	220- 240 V
Frequency	50/60 Hz
Electrical Isolation	Class II
Total power	600-1,100 W
Consumption	2.6 – 5.2 A
Motor power	60 W
Rpm	4,000-5,000
Heating element power	1,000 W
Dimensions	505x129.5x183.5 mm
Weight	2,1 Kg
Effective airflow	65 m3/h (1,080 L/min)
Air velocity	55 Km/h
Air temperature (10 cm distance/21°C)	50°C
Sound pressure (at 2m)	68 dBA
Protection rating	IP20
Length of the hose	550-1,800 mm

Dimensions



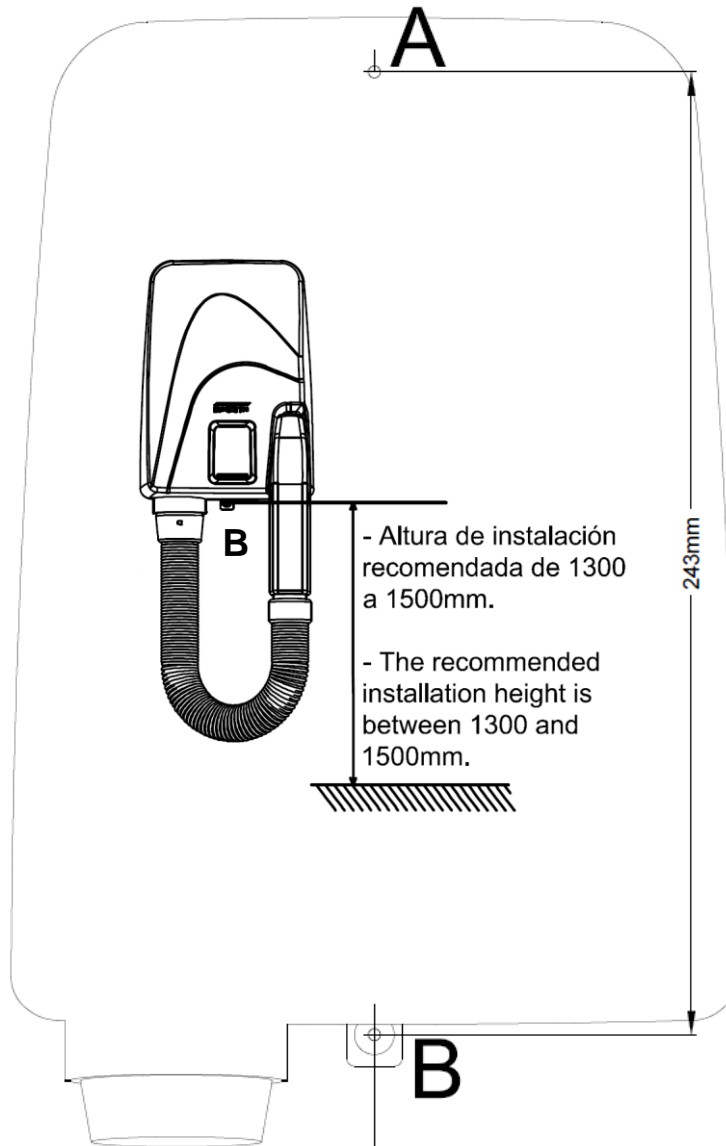
Dimensions ± 4%

Operation

Take down the ergonomic handset from the main body. The drying process initiates automatically. Please direct the handset to the hair, hands or body at your own convenience. Select the air speed flow by means of the speed air flow selector. Once the drying process is over, hang the handset to the main body. The hair dryer stops automatically.

Mounting

Recommended heights distance from the floor



Certificates & Qualifications



Mediclinics, S.A., reserves the right to make changes and/or modifications to the products and their specifications without prior notice.
Revision 03-18 © mediclinics S.A.

