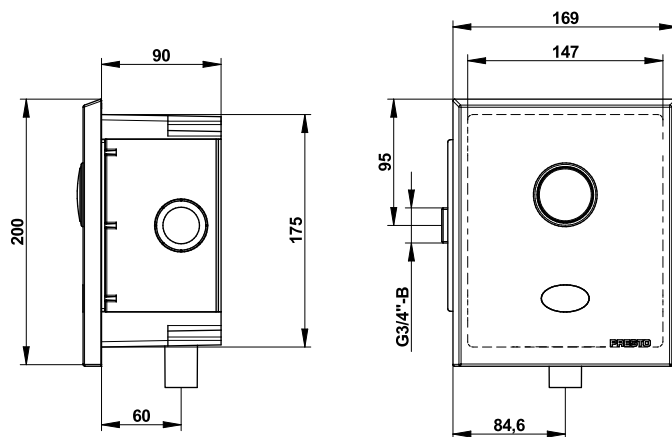


**Range:** Flush sensor taps

**Ref:** 55500 - PRESTO 7100 XL



#### > Working pressure :

- 1 to 5 bar

#### > Volume of water delivered :

- Adjustable water volume from 6 to 9 litres according to the program used (4 programs)
- Anti-water-hammering design
- Automatic 1 l/s flow limiter, 1.2 to 4 bar dynamic working pressure

#### > Flow time :

- From 6 to 9 seconds

#### > Operation :

- Automatic or manual control

#### > Power supply :

- 230V AC / 12V AC transformer, not supplied
- See ref. 90464 / 90711/ 90610 / 90685 / 90704 / 90686

#### > Hydraulic supply :

- On P 1000 XL tap with 3/4" (20x27) integrated stop valve
- Outlet connection on flush pipe Ø 28 mm

#### > Material and colour finish :

- Bright brass body and stop valve
- Brushed stainless steel 304l front plate

#### > Security :

- Anti-siphonic device
- Patented anti-blocking "S" system to avoid the water to flow continuously

#### > Delivered with :

- 1 Flushing-mounting case
- 1 Ball valve
- 1 Reflector
- Instruction manual

#### > Standards & approvals :

- Acoustic class II
- Brass body in accordance with EN 1982, EN 12164, EN 12165
- 200-hour neutral salt spray resistant (NSS) in accordance with ISO 9227

