

# Toilet paper dispensers, industrial and standard rolls

**STEEL  
WHITE EPOXY**

**PR0789**

**FOR INDUSTRIAL  
OR THREE STANDARD ROLLS**

UNITS PER BOX: 1  
UNITS PER PALLET: 76 (C)



**STAINLEES STEEL AISI 304  
BRIGHT FINISH**

**PR0789C**

**FOR INDUSTRIAL  
OR THREE STANDARD ROLLS**

UNITS PER BOX: 1  
UNITS PER PALLET: 76 (C)



**STAINLEES STEEL AISI 304  
SATIN FINISH**

**PR0789CS**

**FOR INDUSTRIAL  
OR THREE STANDARD ROLLS**

UNITS PER BOX: 1  
UNITS PER PALLET: 76 (C)



**Components & Materials**

- Steel one-piece body and lid, 0,8 mm thick, white epoxy.

**Components & Materials**

- Stainless steel AISI 304 one-piece body and lid, 0,8 mm thick, bright finish.

**Components & Materials**

- Stainless steel AISI 304 one-piece body and lid, 0,8 mm thick, satin finish.

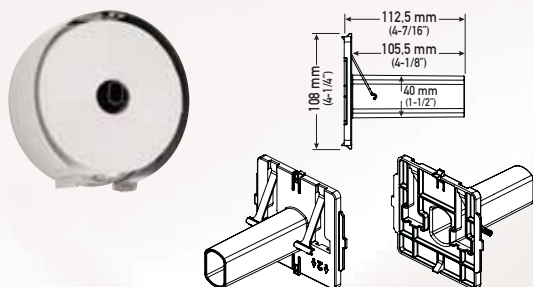
- Fully sealed one-piece body with a catch system to prevent the opening of the door. The supports of the screws in the back of the appliance, are acting as an anti-moisture support, as well as slots to avoid the screws damaging the toilet paper.
- It is mounted on the wall by means of 3 wood screws with their corresponding 5 mm wall plugs. It includes a lock system with standard mediclinics® key, that allows opening the lid for replenishment.
- Modular axis system in thermoplastic. The system consists of two different axis that allow the use of three different types of rolls: industrial roll, standard roll and coreless standard roll.

- Axis fixed to the body by means of a "click" system which permits its easy replacement.
- The axis for industrial roll includes an anti-spin retainer.
- Using standard roll, the extra tissue roll descends when the previous one has been finished.
- One-piece seamless lid, 0,8 mm thick, fully sealed. Fixed to the body by means of rivets that allows swinging down of the lid for the replenishment.
- Frontal window indicates refill time.

**Technical Specifications**

1 layer paper roll capacity	400 m
2 layer paper roll capacity	300 m
Weight (empty)	1,75 Kg
Paper roll diameter	274 mm Ø maximum
Paper roll width	115 mm maximum
Paper roll tube diameter	45 mm minimum
Recommended installation height	65 - 75 cm to the bottom
Installation height for disabled people	70 cm to the bottom

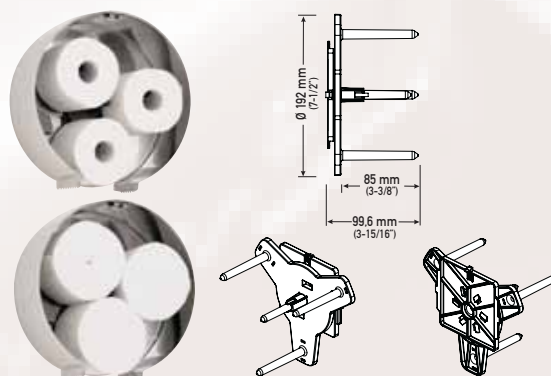
- For outside dimensions see model PR0787



- Axis system for industrial rolls

Toilet paper roll capacity	3 units
Weight (empty)	1,75 Kg
Paper roll diameter	105 - 125 mm Ø maximum
Paper roll width	110 mm maximum
Recommended installation height	65 - 75 cm to the bottom
Installation height for disabled people	70 cm to the bottom

- For outside dimensions see model PR0787



- Axis system for standard rolls and coreless standard rolls