

**SURFACE MOUNTED, THREE STANDARD ROLLS  
STAINLESS STEEL AISI 304 BRIGHT FINISH**

**Code: PR0781C**

**General Description**

- Toilet paper dispenser for three standard rolls, surface mounted, stainless steel AISI 304 bright finish.
- Manual dispensing.
- Suitable for high traffic facilities.
- Model suitable for public use.
- It generally goes along with a toilet brush holder and toilet paper waste receptacle, stainless steel AISI 304 bright finish.

**Components & Materials**

- Stainless steel AISI 304 bright finish one-piece body, 0,8 mm thick, fully sealed. The supports of the screws in the back of the appliance, are acting as an anti-moisture support, as well as slots to avoid the screws damaging the toilet paper. It is mounted on the wall by means of 3 wood screws with their corresponding 5 mm wall plugs. It includes a lock system with standard mediclinics® key, that allows opening the lid for replenishment.
- Stainless steel AISI 304 bright finish one-piece seamless lid, 0,8 mm thick, fully sealed. Fixed to the body by means of 2 rivets that allows swinging of the lid for the replenishment through the top opening. The extra tissue rolls descend when the previous one has been finished, by a simple hand manipulation through the side window. There is no need to open the lid for the removal of consumed rolls.
- Frontal sight-hole and slots on each side of body indicate refill time.

**Technical Specifications**

Dimensions	380 x 116 x 130 mm	Toilet paper roll capacity	3 units
Weight (empty)	1,3 Kg	Toilet paper roll diameter	Ø 105-125 mm
Recommended installation height	65-75 cm to bottom	Toilet paper roll width	110 mm (maximum)
Installation height for disabled people	70 cm from the floor		

**Operation**

Pull visible toilet paper, at your own convenience.

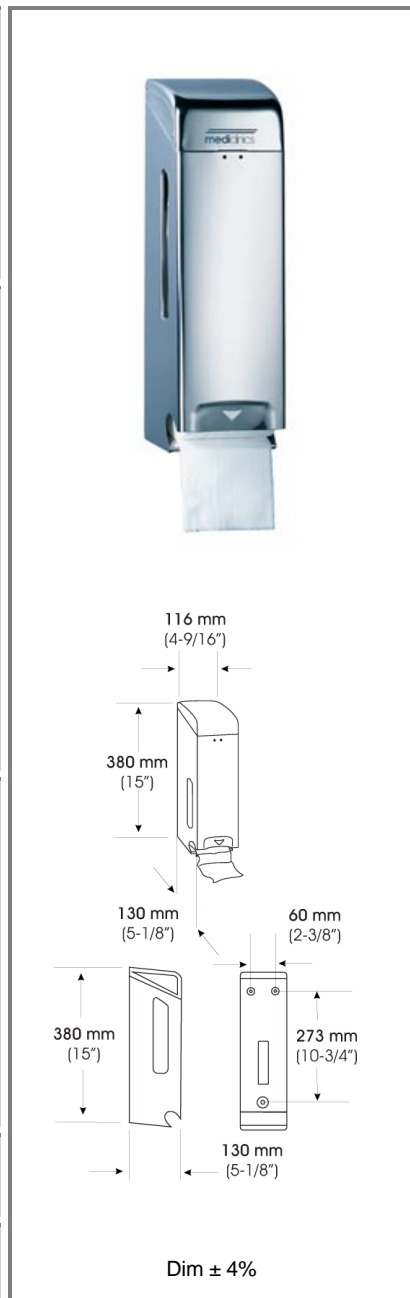
**Certificates & Qualifications**

ISO 9001:2000.

**Specification**

Surface mounted toilet paper dispenser for three standard rolls should be made of stainless steel AISI 304 bright finish. The body should be made of stainless steel AISI 304 bright finish one-piece, 0,8 mm thick, fully sealed. The supports of the screws in the back of the appliance should act as an anti-moisture support, as well as slots to avoid the screws damaging the toilet paper. It should be suitable to be mounted on the wall by means of 3 wood screws with their corresponding 5 mm wall plugs. It should include a lock system with standard mediclinics® key, that allows opening the lid for replenishment. The lid should be made of stainless steel AISI 304 bright finish, seamless, 0,8 mm thick, fully sealed. The lid should be fixed to the body by means of 2 rivets that allows swinging of the lid for the replenishment through the top opening. The extra tissue rolls should descend when the previous one has been finished, by a simple hand manipulation through the side window. There should be no need to open the dispenser for removing the consumed rolls. The appliance should have a frontal sight-hole and slots on each side of body to indicate refill time. Overall dimensions shall be 380 x 116 x 130 mm.

Toilet paper dispenser for three standard roll shall be model PR0781C, stainless steel AISI 304 bright finish, manufactured by Mediclinics S.A., C/ Industria 54, E-08025 Barcelona, Spain.



**Mediclinics, S.A., reserves the right to make changes and/or modifications to the products and their specifications without warning or notice.**

Revision 4-2004

© mediclinics S.A.

