

**SURFACE MOUNTED, THREE STANDARD ROLLS
STEEL WHITE EPOXY**

Code: PR0781

General Description

- Toilet paper dispenser for three standard rolls, surface mounted, steel white epoxy coated.
- Manual dispensing.
- Suitable for high traffic facilities.
- Model suitable for public use.
- It generally goes along with a toilet brush holder and toilet paper waste receptacle, steel white epoxy

Components & Materials

- Steel white epoxy coated one-piece body, 0,8 mm thick, fully sealed. The supports of the screws in the back of the appliance, are acting as an anti-moisture support, as well as slots to avoid the screws damaging the toilet paper. It is mounted on the wall by means of 3 wood screws with their corresponding 5 mm wall plugs. It includes a lock system with standard mediclinics® key, that allows opening the lid for replenishment.
- Steel white epoxy coated one-piece seamless lid, 0,8 mm thick, fully sealed. Fixed to the body by means of 2 rivets that allows swinging of the lid for the replenishment through the top opening. The extra tissue rolls descend when the previous one has been finished, by a simple hand manipulation through the side window. There is no need to open the lid for the removal of consumed rolls.
- Frontal sight-hole and slots on each side of body indicate refill time.

Technical Specifications

Dimensions	380 x 116 x 130 mm	Toilet paper roll capacity	3 units
Weight (empty)	1,3 Kg	Toilet paper roll diameter	Ø 105-125 mm
Recommended installation height	65-75 cm to bottom	Toilet paper roll width	110 mm (maximum)
Installation height for disabled people	70 cm from the floor		

Operation

Pull visible toilet paper, at your own convenience.

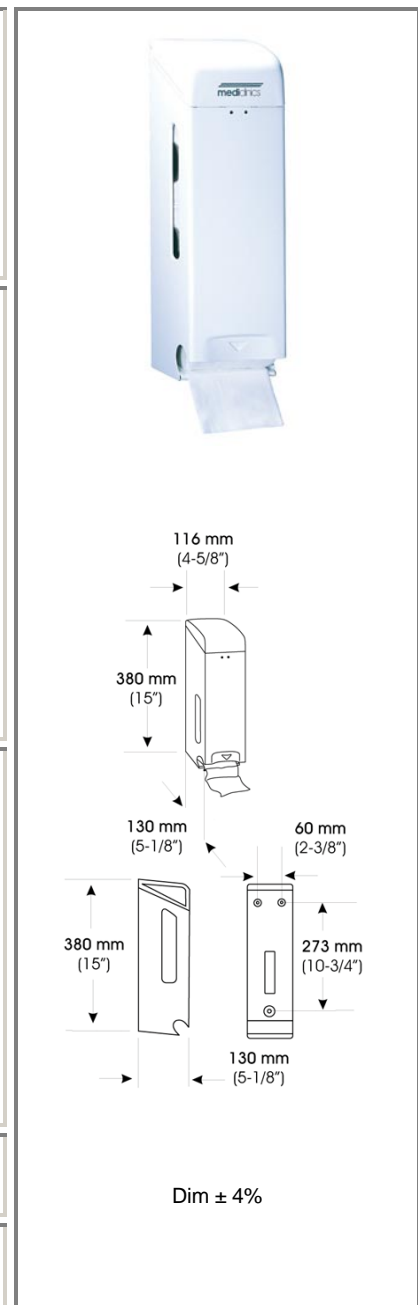
Certificates & Qualifications

ISO 9001:2000.

Specification

Surface mounted toilet paper dispenser for three standard rolls should be made of steel white epoxy coated. The body should be made of steel white epoxy coated one-piece, 0,8 mm thick, fully sealed. The supports of the screws in the back of the appliance should act as an anti-moisture support, as well as slots to avoid the screws damaging the toilet paper. It should be suitable to be mounted on the wall by means of 3 wood screws with their corresponding 5 mm wall plugs. It should include a lock system with standard mediclinics® key, that allows opening the lid for replenishment. The lid should be made of steel white epoxy coated one-piece seamless, 0,8 mm thick, fully sealed. The lid should be fixed to the body by means of 2 rivets that allows swinging of the lid for the replenishment through the top opening. The extra tissue rolls should descend when the previous one has been finished, by a simple hand manipulation through the side window. There should be no need to open the dispenser for removing the consumed rolls. The appliance should have a frontal sight-hole and slots on each side of body to indicate refill time. Overall dimensions shall be 380 x 116 x 130 mm.

Toilet paper dispenser for three standard rolls shall be model PR0781, steel white epoxy coated, manufactured by Mediclinics S.A., C/ Industria 54, E-08025 Barcelona, Spain.



Mediclinics, S.A., reserves the right to make changes and/or modifications to the products and their specifications without warning or notice.

Revision 4-2004

© mediclinics S.A.

