

**RECTANGULAR WASTE RECEPTACLE  
STAINLESS STEEL AISI 304 SATIN FINISH**

**Code: PP0279CS**

**General Description**

- Waste receptacle, 25 L of capacity, wall mounted or floor standing, stainless steel AISI 304 satin finish.
- Suitable for lavatories and in-doors public areas with medium traffic.
- Model suitable for public use.
- When set in a lavatory, it generally goes along with a paper tissue dispenser and complemented by a warm air hand dryer.

**Components & Materials**

- Stainless steel AISI 304 body, 1 mm thick, satin finish. One-piece manufactured, fully sealed. Capacity 25 L. For standing on the floor or wall mounting by means of 4 slot holes drilled on the back of the appliance.

**Technical Specifications**

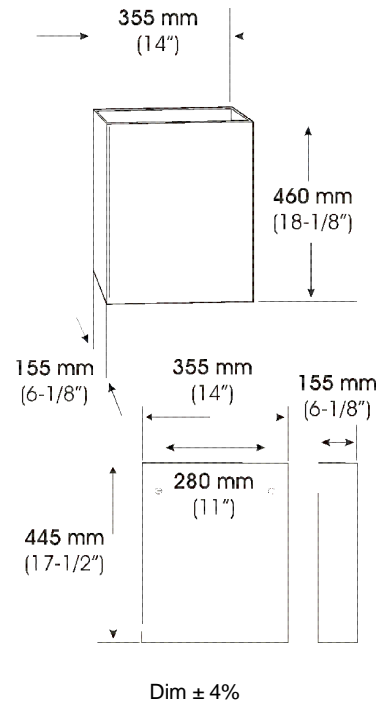
Dimensions	460 x 355 x 155 mm	Capacity	25 L
Weight (empty)	3,5 Kg		

**Operation**

Place the waste straight into the waste receptacle.

**Certificates & Qualifications**

ISO 9001:2000.



**Specification**

25 L waste receptacle should be made of stainless steel AISI 304, 1 mm thick, satin finish. The body should be one-piece manufactured, fully sealed. The waste receptacle should be suitable for standing on the floor or wall mounting by means of the 4 slot holes drilled on the back of the appliance.

25 L waste receptacle shall be model PP0279CS, stainless steel AISI 304, satin finish, manufactured by Mediclinics S.A., C/ Industria 54, E-08025 Barcelona, Spain

**Mediclinics, S.A., reserves the right to make changes and/or modifications to the products and their specifications without warning or notice.**

Revision 04-2004

© mediclinics S.A.

