

**SANITARY NAPKIN DISPOSAL BIN
STAINLESS STEEL AISI 304 BRIGHT FINISH**

Code: PP0006C

General Description

- Sanitary napkin disposal bin, 6 L of capacity, wall mounted or floor standing, stainless steel AISI 304 bright finish.
- Robust and vandal-resistant.
- Suitable for very high traffic facilities.
- Model suitable for public use.
- It normally goes along with a toilet paper dispenser and a toilet brush unit and is complemented by a warm air hand dryer.

Components & Materials

- Stainless steel AISI 304 body, 0,8 mm thick, bright finish. Capacity 6 L. For standing on the floor or wall mounting by means of 2 slot holes press-formed on the back of the appliance.
- Stainless steel AISI 304 lid, 0,8 mm thick, bright finish, seamless one-piece manufacture. It protrudes 3,5 mm off the body to ease the opening. Attached to the body by means of two semi-axes that permit the lid rotation.

Technical Specifications

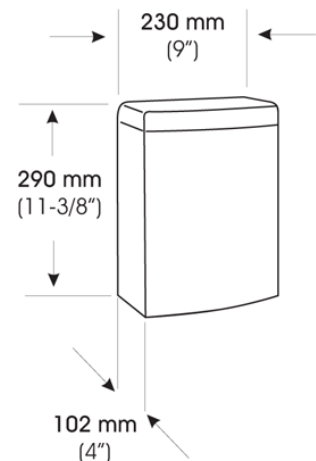
Dimensions	290 x 230 x 102 mm	Capacity	6 L
Weight (empty)	1,5 Kg		
Installation height (to top of receptacle)	63-76 cm from ground	Installation height for disabled people	63-73 cm from ground

Operation

Manually open the lid using the lid protrusion made to this effect.

Certificates & Qualifications

ISO 9001:2000.



Dim ± 4%

Specification

6 L sanitary napkin disposal bin should be made of stainless steel AISI 304 0,8 mm thick bright finish. The body should be made of stainless steel AISI 304, 0,8 mm thick, bright finish. The bin should be suitable for standing on the floor or wall mounting by means of 2 slot holes press-formed on the back of the appliance. The seamless one-piece lid should be made of stainless steel AISI 304, 0,8 mm thick, bright finish. It should protrude 3,5 mm off the body to ease the opening. The lid should be attached to the body by means of two semi-axes that permit the lid rotation. Overall dimensions should be 290 x 230 x 102 mm

6 L sanitary napkin disposal bin shall be model PP0006C, stainless steel AISI 304 bright finish, manufactured by Mediclinics S.A., C/ Industria 54, E-08025 Barcelona, Spain.

Mediclinics, S.A., reserves the right to make changes and/or modifications to the products and their specifications without warning or notice.

Revision 04-2004

© mediclinics S.A.

