

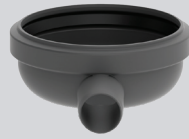
Outlet units [corner]

Introduction

Outlet unit for corner solution.
 Outlet dimension: Ø 32, 50 mm.
 With water trap with horizontal side inlet.

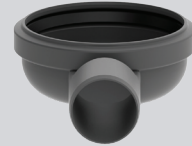
Specifications

Material: Plastic (PP)
 Gasket: EPDM



Corner 2415.0032*

Allows for low headroom.
 With horizontal outlet Ø 32 mm.
 Can be rotated, which may facilitate direction of piping
 Has sprung loaded water trap with automatic odour barrier (AOS).



Corner 2415.0050*

Allows for low headroom.
 With horizontal outlet Ø 50 mm.
 Can be rotated, which may facilitate direction of piping
 Has sprung loaded water trap with automatic odour barrier (AOS).

Usage:	Corner drain	Corner drain
Outlet dimensions:	Ø 32 mm	Ø 50 mm
Outlet direction:	Horizontal	Horizontal
Capacity:	0,4 l/s	0,5 l/s
Water trap:	With	With
Side inlet:	Without	Without
Fits units:	Drain unit 2011.0200	Drain unit 2011.0200
Item No.:	2415.0032	2415.0050
EAN No.*:	6789	6796

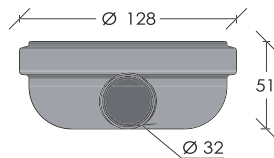
*570769200xxxx

*Only 20 mm water seal.

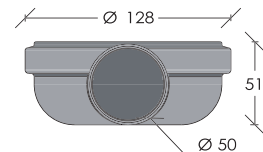
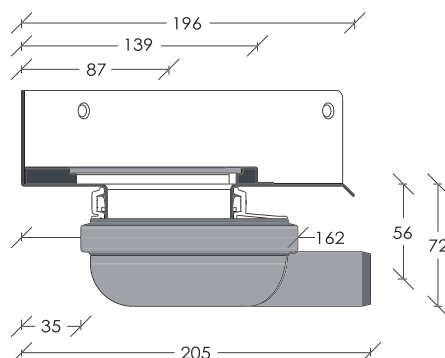
Does not comply with EN 1253 - is not VA certified.

*Only 20 mm water seal.

Does not comply with EN 1253 - is not VA certified.



Diagonal measurements from inside corner to front



Diagonal measurements from inside corner to front

