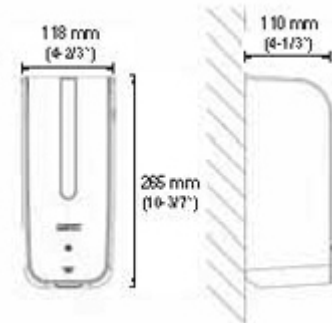


**AUTOMATIC,
0,8 L CAPACITY, ALUMINIUM**

Code: DJ0160AS

- Automatic soap dispenser, 0.8L capacity, 0.5 mm aluminium frame and black ABS base
- Highly resistant.
- Suitable for washrooms with large numbers of users.
- Suitable for communal facilities.
- Usually in combination with a hot air hand dryer.



Dim ± 4%

Materials and Components

- Thermoplastic ABS body with a 0.5 mm aluminium frame, in shiny silver and black.
- Elastomeric valve.
- Polyethylene soap deposit with a 0.8L capacity.
- Control circuit with infrared detectors to trigger the soap dispenser on nearing the hands, powered by 6 1.5V batteries (6 V DC).
- Adjustable triggering distance.
- Transparent plastic content viewer (polycarbonate) on the front.
- Security lock.
- All surfaces are flat, therefore easy to clean inside and out.
- Allows for 150,000 cycles of use.
- For liquid skin soaps and medium-viscosity soap/lotions.

Flashing LED for battery change

Automatic battery switch-off during soap deposit refill

Technical data

Dimensions	265 x 118x 110 mm	Capacity	0,8 L
Weight (empty)	0,750 Kg	Minimum installation height	15-20 cm from shelf
Consumption	6 batteries 1.5V	Quantity dispensed/pulsation	1-2 ml

Operation

Place hand beneath soap dispenser to activate the sensor. Soap will automatically be dosed.

Certificates & Qualifications

ISO 9001:2000

Mediclinics, S.A., reserves the right to make changes and/or modifications to the products and their specifications without warning or notice.

Certificado ISO 9001 por



Revisión 05-2008

© mediclinics S.A.