

**WALL TO WALL ANGLED BAR**  
**STAINLESS STEEL AISI 304 SATIN FINISH**

Code: **BD0700CS**

**General Description**

- Angled grab bar, wall to wall, stainless steel AISI 304 satin finish, for showers, baths and changing rooms.
- With snap flange cover.
- Suitable for bathrooms specific for invalids, elderly people or the handicapped.
- Suitable to achieve barrier-free accessibility in bathrooms and public spaces.
- Model suitable for public use.
- Highest durability and rusting resistance.

**Components & Materials**

- Stainless steel AISI 304 bar, 1,5 mm thick and Ø 30 mm (outer diameter), satin finish. The bending process guarantees the uniformity of the diameter along the bends.
- Stainless steel AISI 304 mounting flange, 3 units, 3 mm thick. Incorporates 2 screws holes of Ø 6,5 mm for mounting on the wall.
- Stainless steel AISI 304 snap flange cover, 3 units, satin finish, 0,8 mm and Ø 80 mm.

**Technical Specifications**

Length of the long section (maximum distance)	795 mm	Recommended installation height	750-915 mm
Length of the 1 flange section (between flange and bend centres)	700 mm	Maximum force supported (*)	4.003 N
Length of the 2 flanges section (between flange's centers)	600 mm	Maximum weight supported (*)	408 Kg
Distance between bar and wall	40 mm		

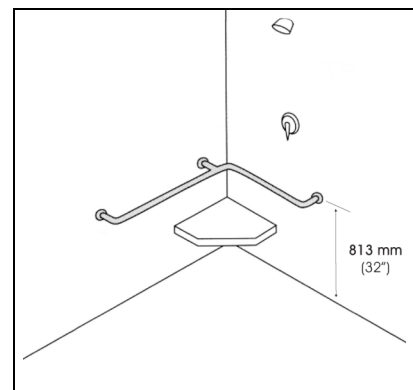
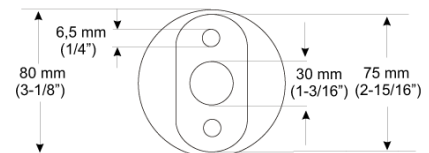
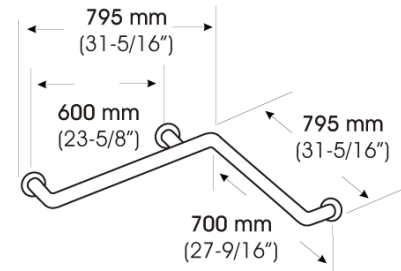
(\*) NOTE: The load that the bar withstands depends on the type of the wall and the wall plugs used. Nuts and bolts are not included. The use of stainless steel screws is recommended.

**Operations**

No specific instructions for its use required.

**Certificates & Qualifications**

ISO 9001:2000.



Dim ± 4%

**Specification**

Angled grab bar wall to wall should be made of stainless AISI 304, 1,5 mm thick and Ø 30 mm (outer diameter), satin finish. The bending process should guarantee the uniformity of the diameter along the bends. The bar should incorporate three stainless steel AISI 304 mounting flanges, 3 mm thick. Each mounting flange should incorporate 2 screws holes of Ø 6,5 mm for mounting on the wall. The bar should be equipped with 3 stainless steel AISI 304 snap flange covers, satin finish, 0,8 mm thick and Ø 80 mm. The grab bar should be able to support a maximum force of 4.003 N and a weight of 408 Kg. The maximum length of each section should be 795 mm

Angled grab bar wall to wall shall be model BD0700CS, stainless steel AISI 304 satin finish, manufactured by Mediclinics S.A., C/ Industria 54, E-08025 Barcelona, Spain.

**Mediclinics, S.A., reserves the right to make changes and/or modifications to the products and their specifications without prior notice.**

Certified ISO 9001 by



Revision 04-2004

© mediclinics S.A.