

**TOILET PAPER HOLDER WITH COVER
CHROMED BRASS**

Code: **AC0967C**

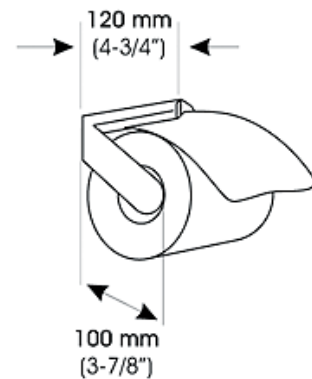
General Description

- Toilet paper holder with cover, chromed brass, for wall mounting
- Suitable for the hotel sector, for fitting out the bathrooms in the hotel rooms.
- Model suitable for public use.



Components & Materials

- Support to the wall in chromed brass 2,5 mm thick with a protection thickness of 21 µm nickel + 0,20 µm chrome.
- Chromed brass cover, 0,8 mm thick.
- Axis to support the roll paper in thermoplastic, white colour.



Dim ± 4%

Technical Specifications

Dimensions	30 x 120 x 100 mm
------------	-------------------

Operations

No specific instructions for its use required.

Certificates & Qualifications

ISO 9001:2000.

Specification

Toilet paper holder with cover should be chromed brass, for wall mounting. The support to the wall should be chromed brass 2,5 mm thick with a protection thickness of 21 µm nickel + 0,20 µm chrome. The cover should be chromed brass cover, 0,8 mm thick. The holder should include an axis to support the roll paper in thermoplastic, white colour. Dimensions shall be 30 x 120 x 100 mm.

Toilet paper holder with cover shall be model AC0967C, chromed brass, of Mediclinics S.A., C/ Industria 54, E-08025 Barcelona, Spain.

Mediclinics, S.A., reserves the right to make changes and/or modifications to the products and their specifications without warning or notice.

Revision 04-2004

© mediclinics S.A.

